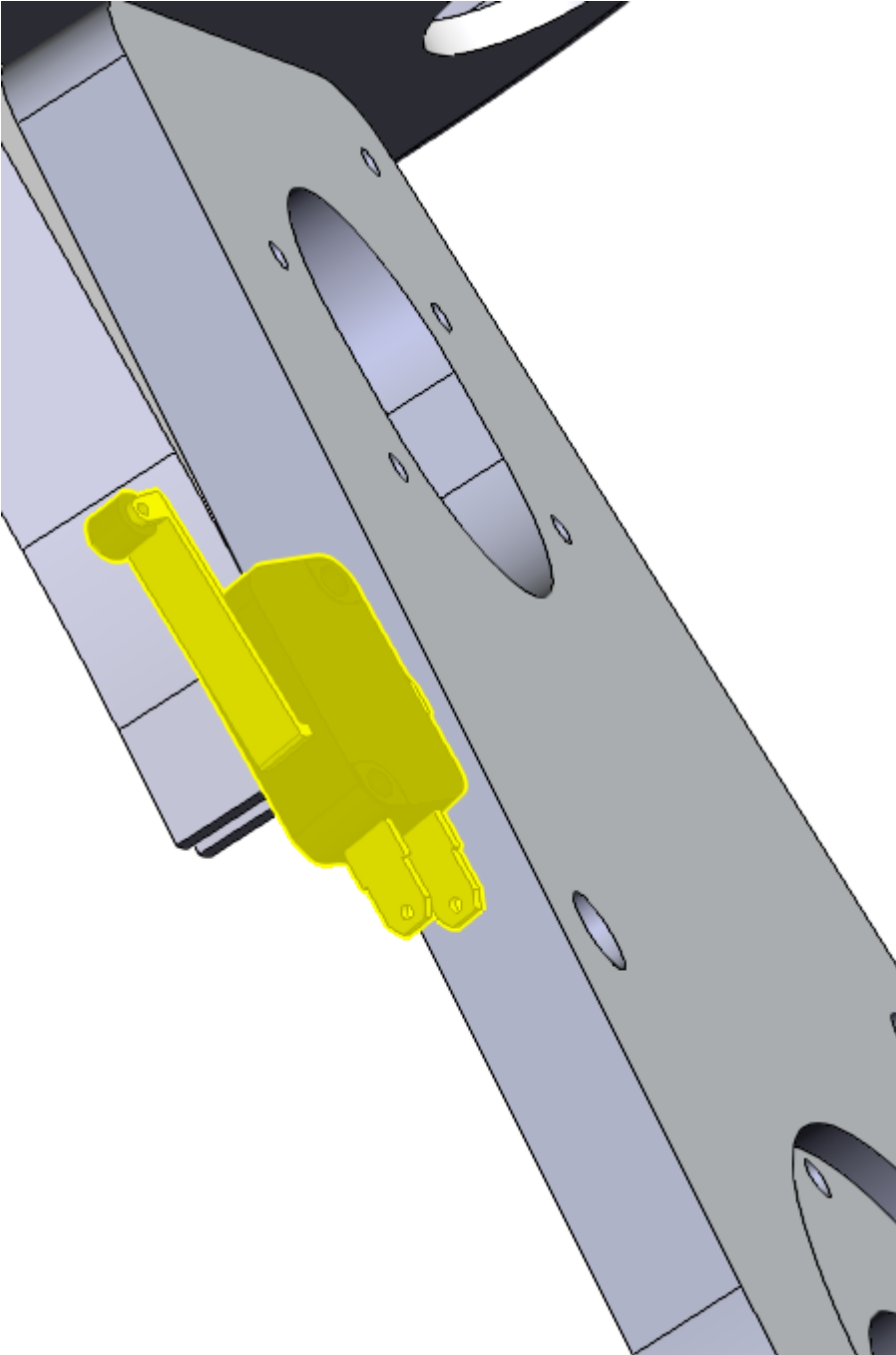


Moving Parts by Reference

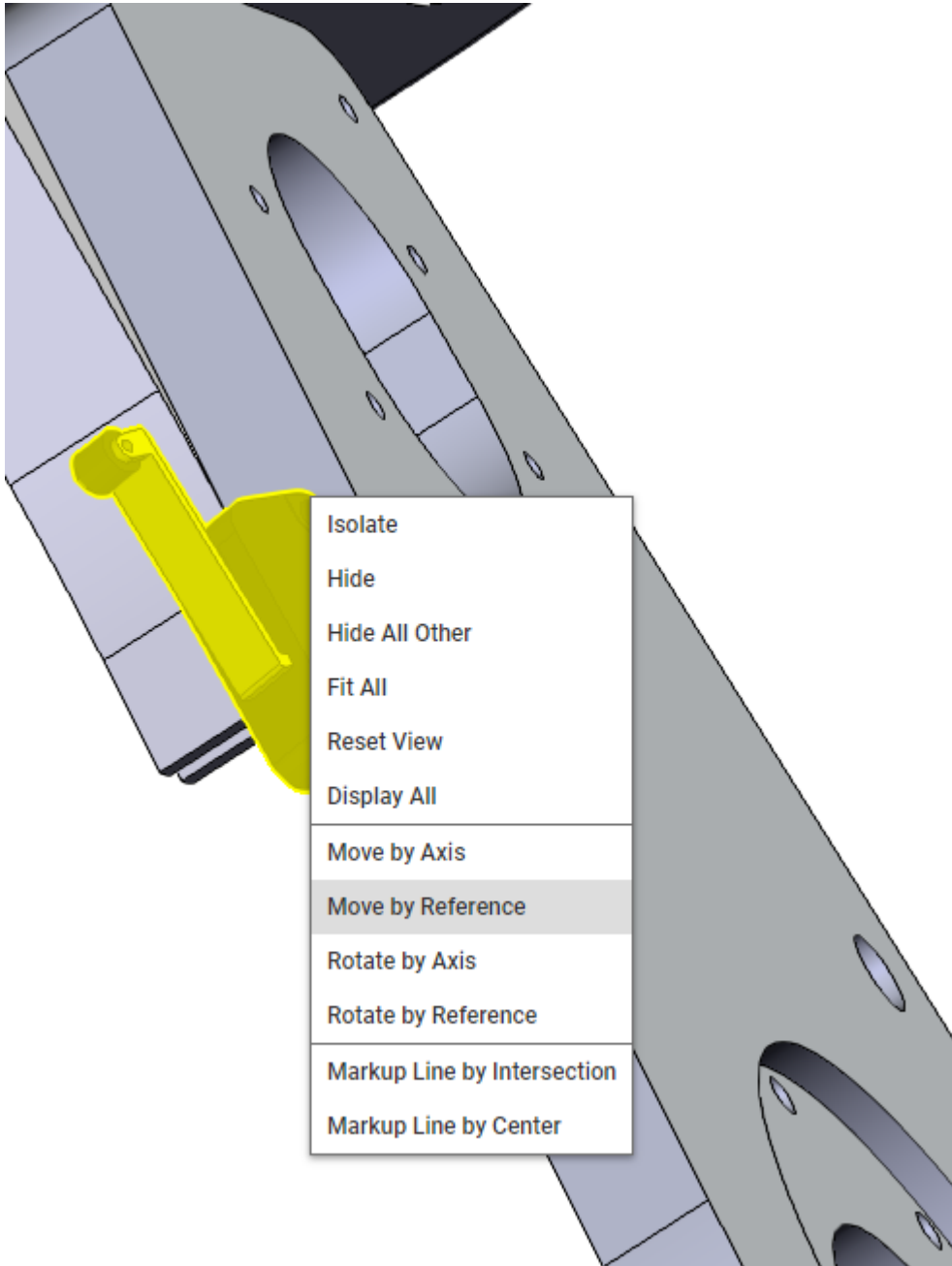
The following steps outline the process to move a subassembly or a leaf part relatively to a surface or edge of another part:

1. Select the subassembly or part to be moved.





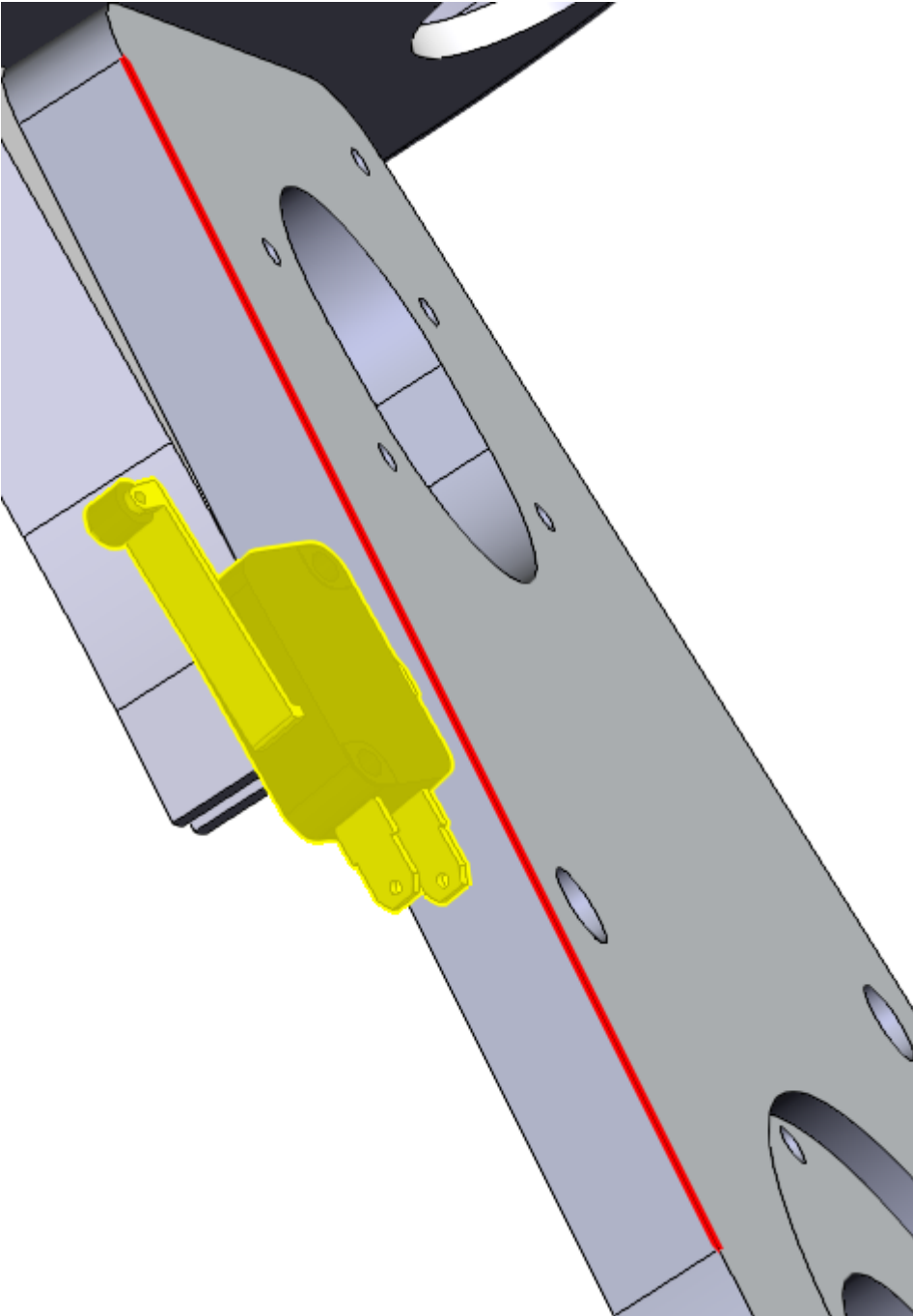
2. Right-click the subassembly or part to be moved and click **Move by Reference**.



3. Select a surface or edge of another part along which the first subassembly or part should be moved.

Important

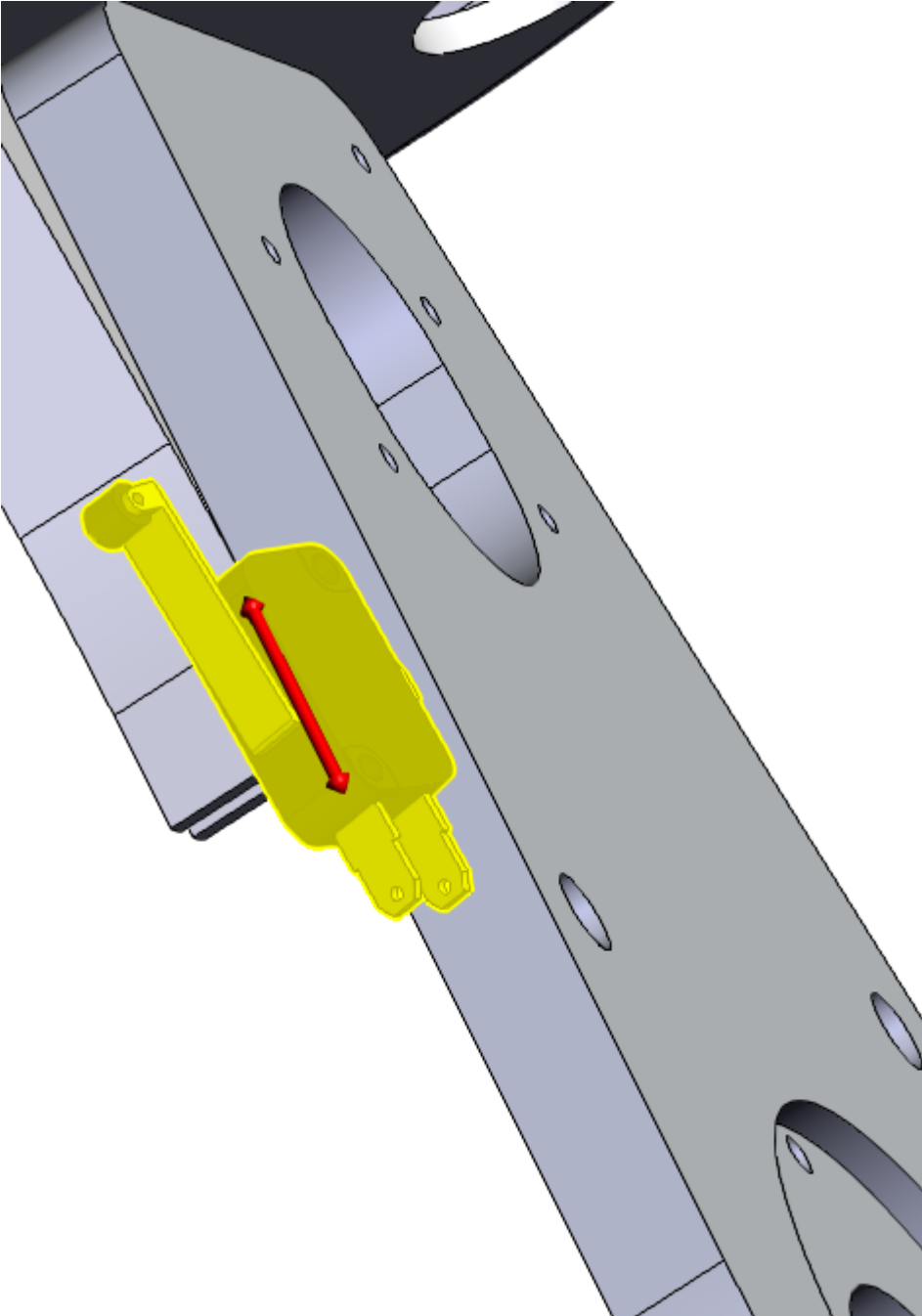
Surfaces and edges available for selection are highlighted with red while hovering over them.



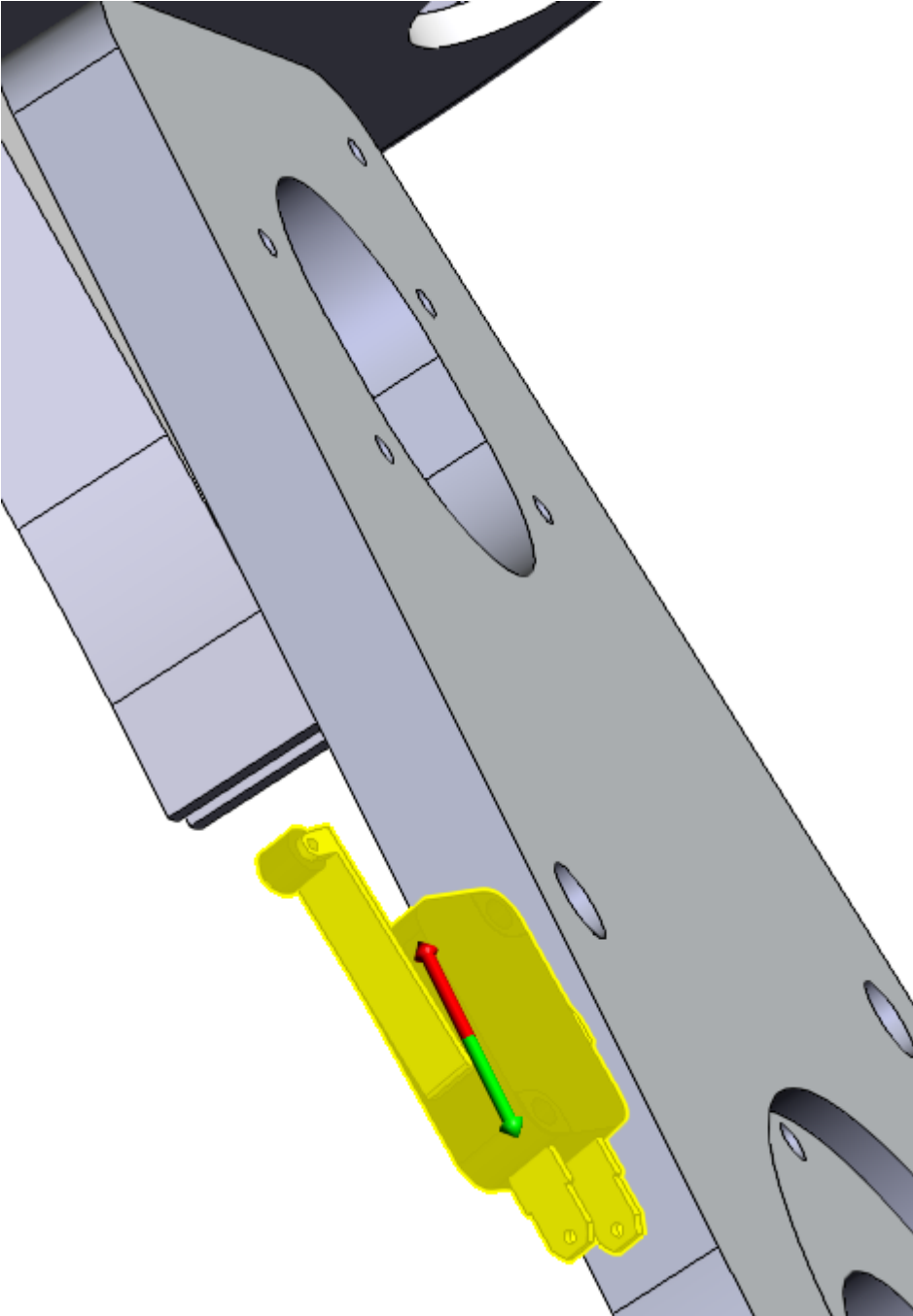
A movement axis appears near the model.

Important

The system automatically detects a valid axis for movement along a given object.

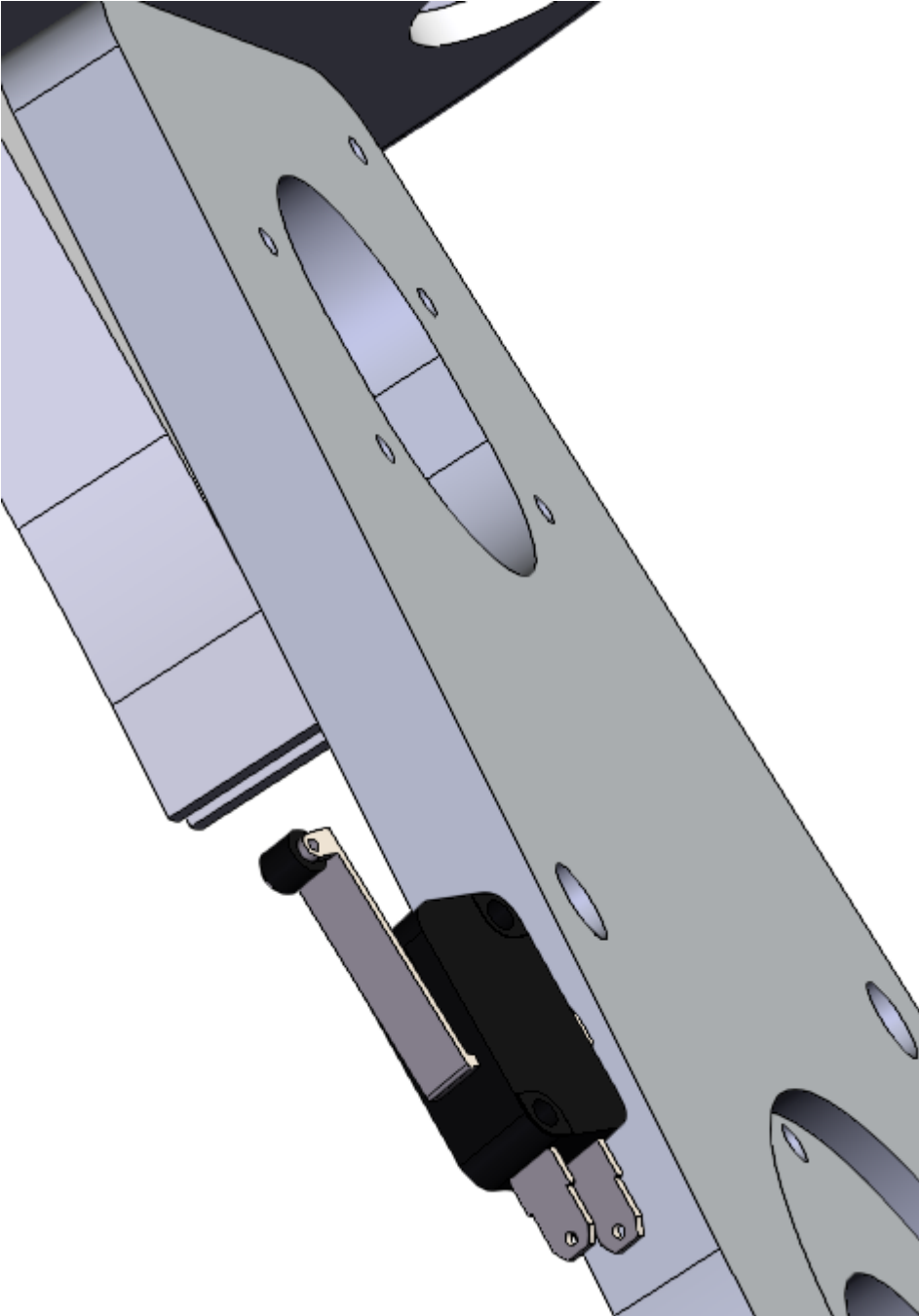


4. Drag the axis to move the subassembly or part as necessary.



5. Once the necessary position is achieved, quit the manual geometry transformation mode. This can be done in two ways:

- Click outside the moved subassembly or part.
- Press Escape on the keyboard.



The new subassembly or part position is preserved. The 3D CAD model is ready for viewing and other manipulations.

