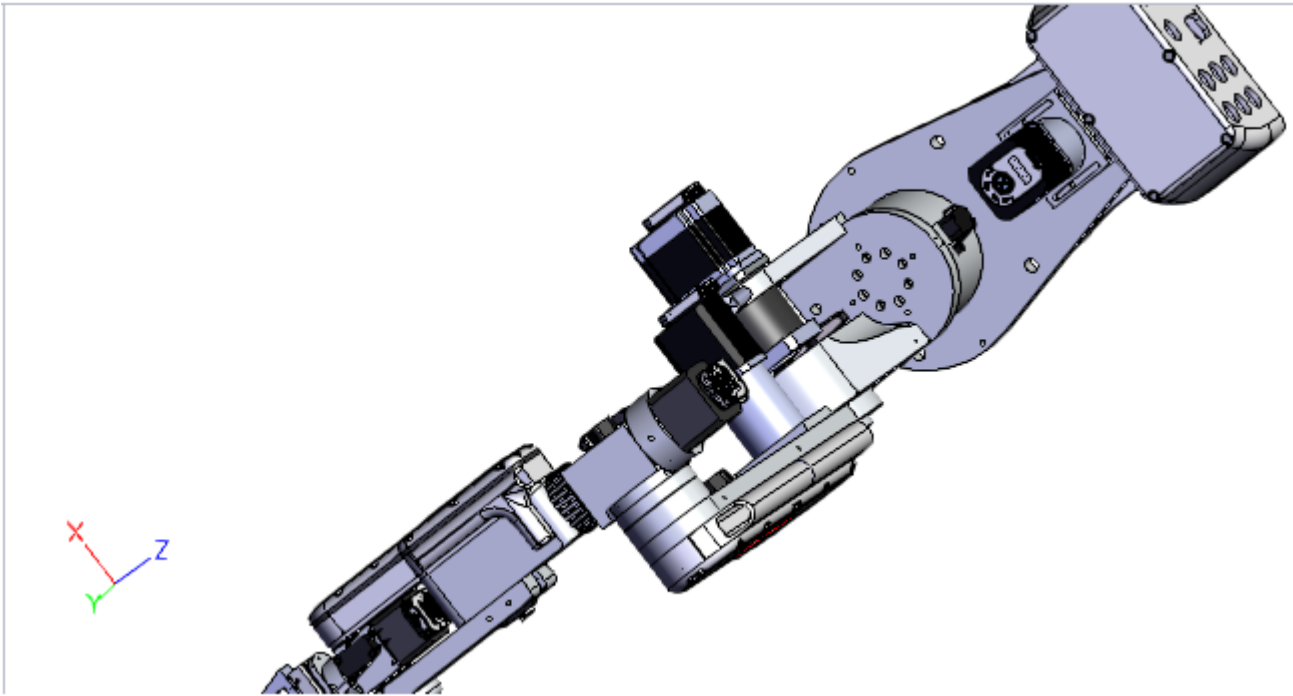
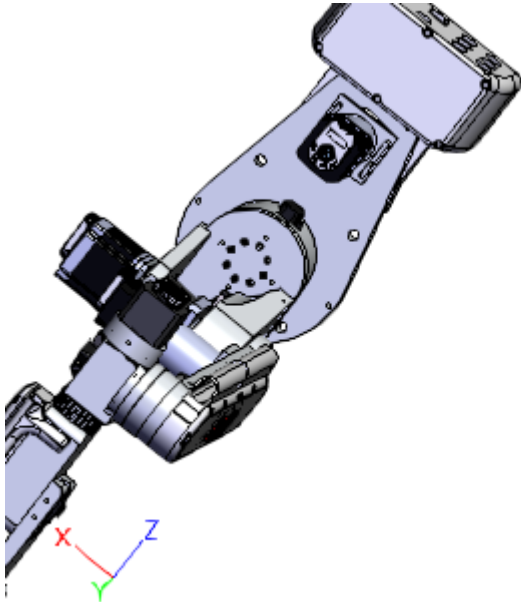


Viewing CAD Models

In the 3D model viewing mode launched with the **View** button on the **Basic Viewing** or **Standard Viewing** toolbar, an end user can view a 3D CAD model from different sides by clicking and dragging any place on the model or canvas. The **Model Orientation** indicator tells which side is toward the user and where the other sides are.

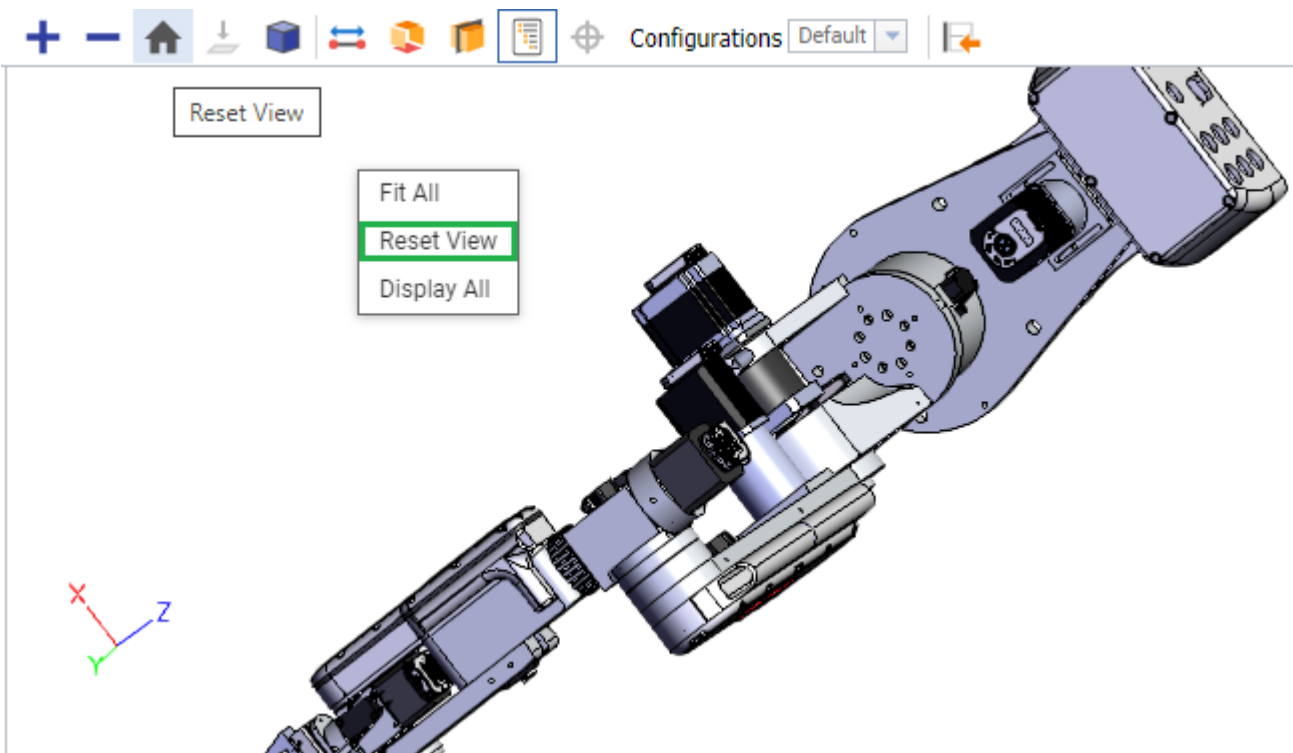


Right-clicking and dragging any place on the model or canvas pans the view—moves the model through the canvas without changing the model orientation.



To show a 3D CAD model in its default orientation and size:

- Click Reset View on the Basic Viewing or Standard Viewing toolbar or 3D Scene or Part context menu.



And the model will return to its default orientation and position in front of the camera.

