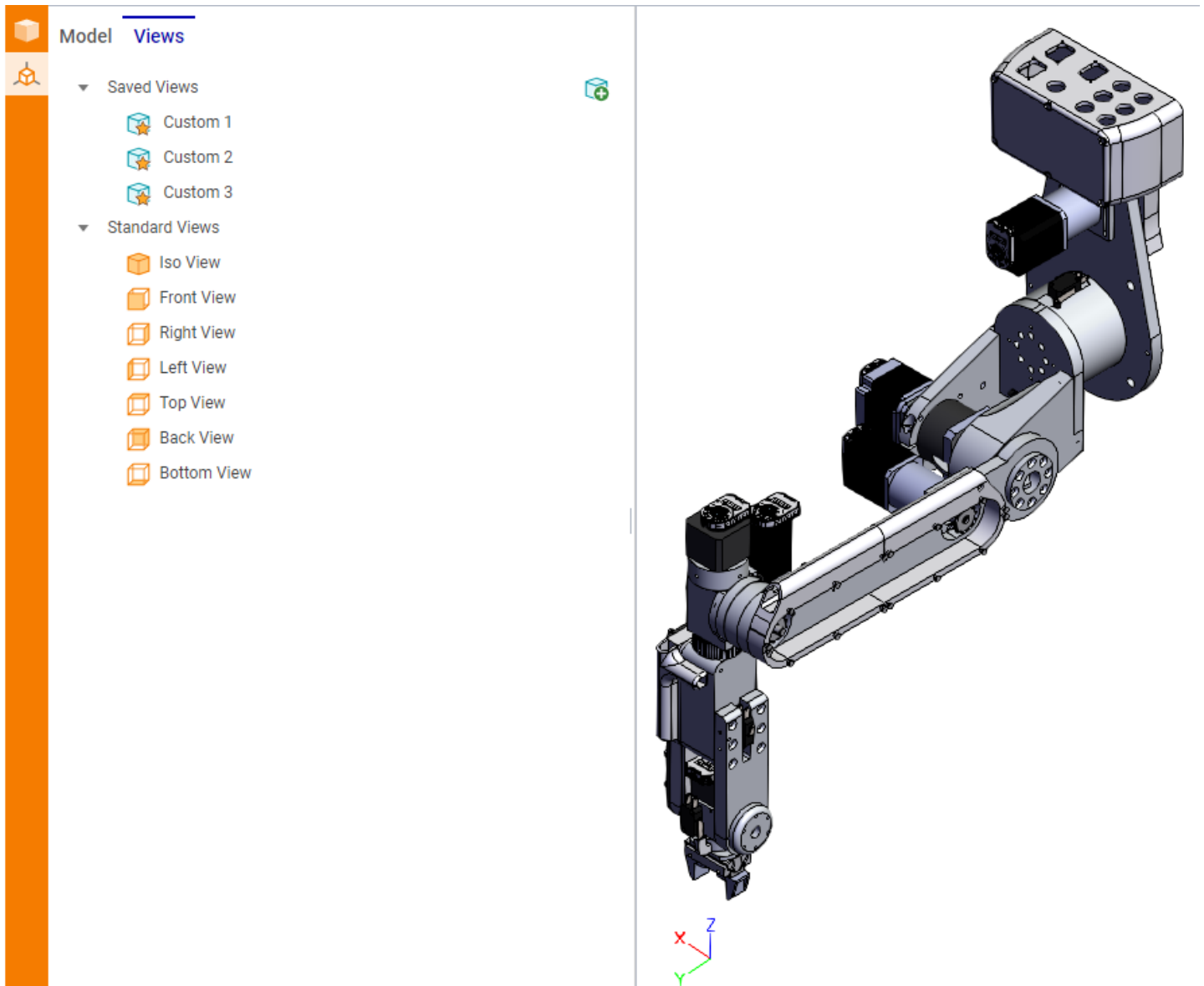


# Browsing CAD Model Views in Dynamic and Streaming Viewers

The **Views** tab of the **Model Browser** section in the Dynamic or in the Streaming Viewers provides end users with options of viewing positions available for a given 3D CAD model.



The **Views** tab has two view groups:



- **Saved Views:** custom viewing positions created and saved by user as discussed in the [Saved Views](#) section.
- **Standard Views:** viewing positions of standard 3D sides available for all 3D CAD models:
  - **Iso View**
  - **Front View**
  - **Right View**
  - **Left View**
  - **Front View**
  - **Top View**
  - **Back View**

Clicking a given viewing position rotates a given 3D CAD model to a corresponding side and orientation.

