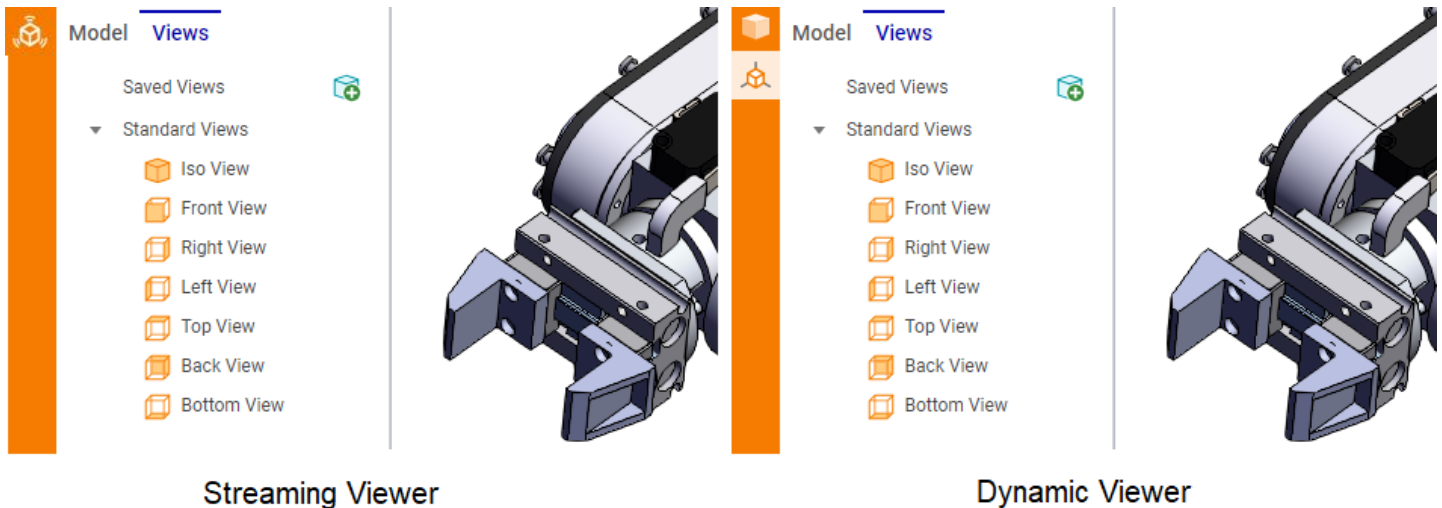


Creating Saved Views

The following steps outline the process to create a custom Saved View of a given 3D scene in the Dynamic or in the Streaming Viewers:

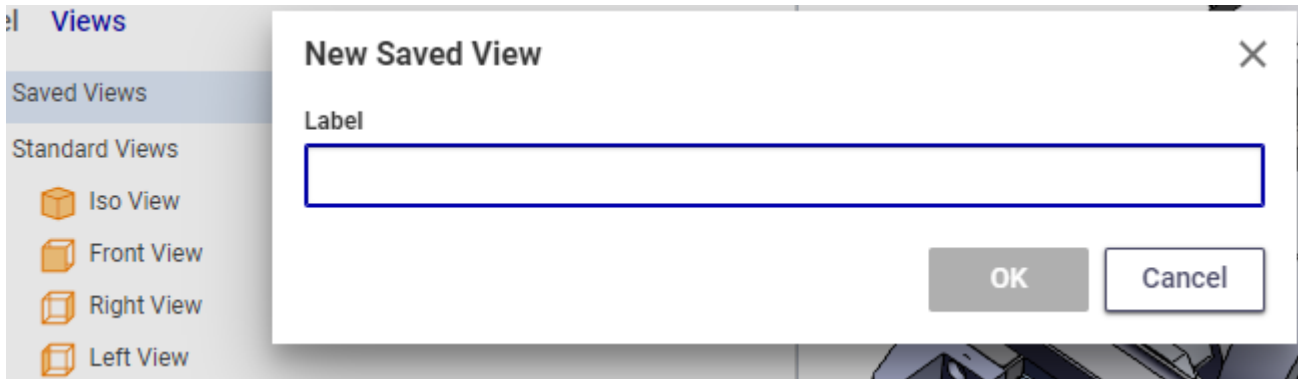
1. Go to the **Views** tab of the **Model Browser** section.



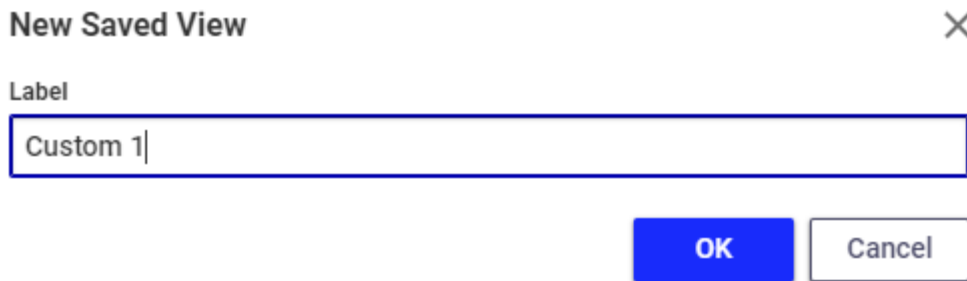
2. Click the **New Saved View** button on the **Saved Views** group row.



The **New Saved View** dialog box appears.



3. In the **Label** field, enter a valid name for the new Saved View. This field is required. A valid name should be up to 32 alphanumeric characters long. The **OK** button becomes enabled only when a valid name is provided. Names of Saved Views are not required to be unique.



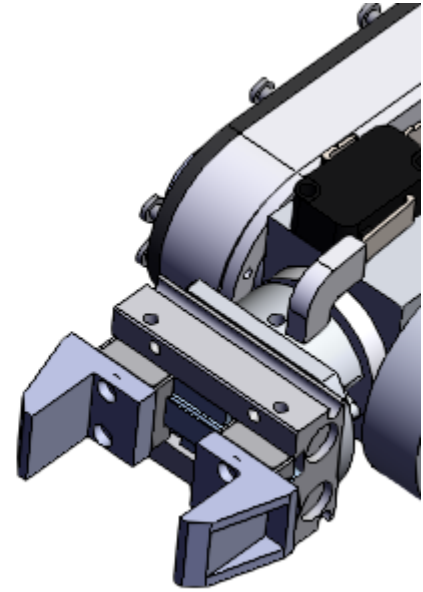
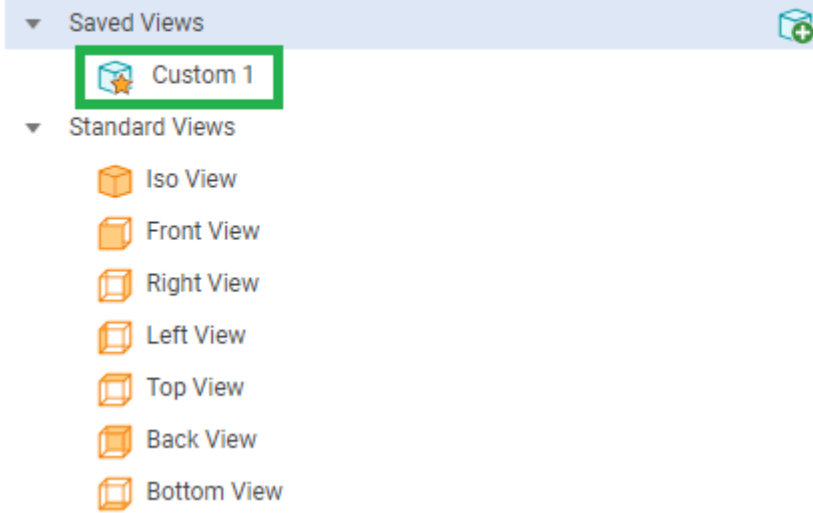
4. Once a valid name is entered, click the **OK** button. The **New Saved View** dialog box disappears. A new Saved View is created for a given CAD Document and associated with the selected Dynamic View Definition. The new Saved View appears as a new row with the name given at step 3 in the **Saved View** group on the **Views** tab of the **Model Browser** section.

Important

Note: Clicking the **Cancel** button will cancel the operation, and a Saved View will not be created.



Model Views



When a Saved View is created for a Dynamic View Definition of a CAD Document, it can only be accessed and restored from the Dynamic View of this CAD Document Item and on this selected Dynamic View Definition.