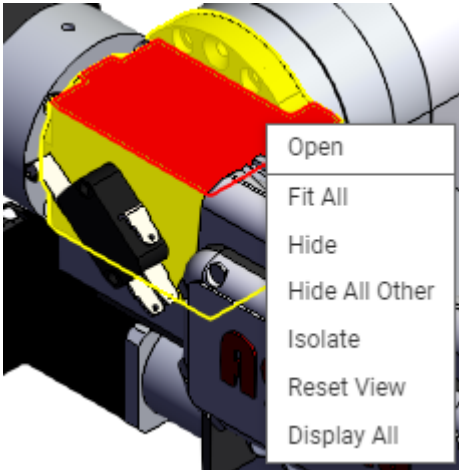


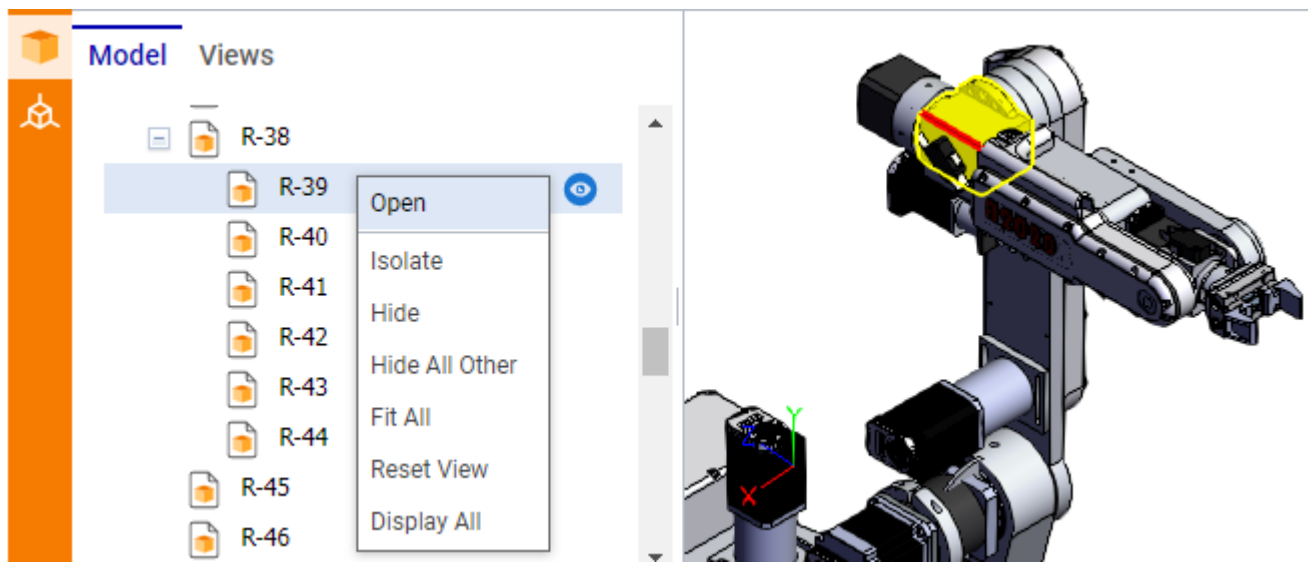
Part Context Menu

To access the **Part** context menu, click an individual part to select it and then right-click either:

- On a given 3D CAD model on the canvas.



- In the Model Browser.



In addition to the **Fit All**, **Reset View**, and **Display All** commands from the **3D Scene** context menu, the **Part** context menu includes the following commands:

- Open opens the CAD Document Item view of a selected part.

- Isolate makes everything transparent except the selected part and zooms into this part; see the *Zooming into and Isolating Part* section.
- Hide makes a selected part invisible on the 3D scene (hides it).
- Hide **All Other** makes unselected parts invisible on the 3D scene (hides them).

The Dynamic and Streaming Viewer **Part** context menu has additional commands. It is possible to select multiple individual parts in the Dynamic/Streaming Viewer. See the *Part Context Menu in Dynamic Viewer and Streaming Viewer* section.

