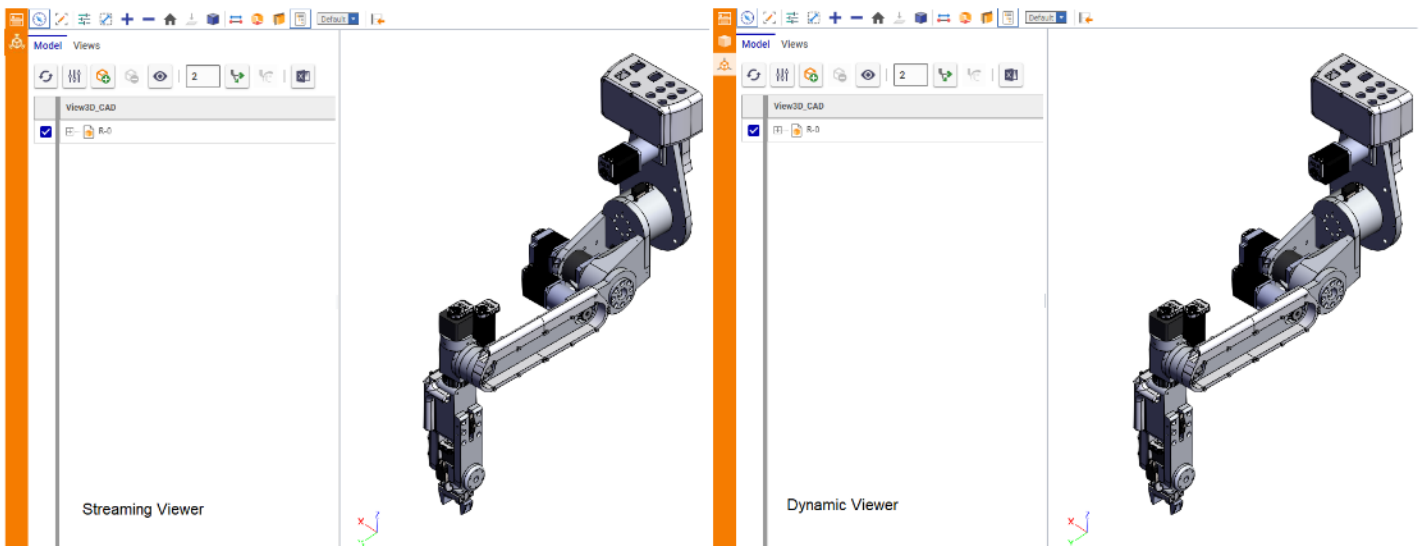


Model Browser in Dynamic and Streaming Viewers

The **Model Browser** button on the **Standard Viewing** toolbar provides access to the **Model Browser** section.

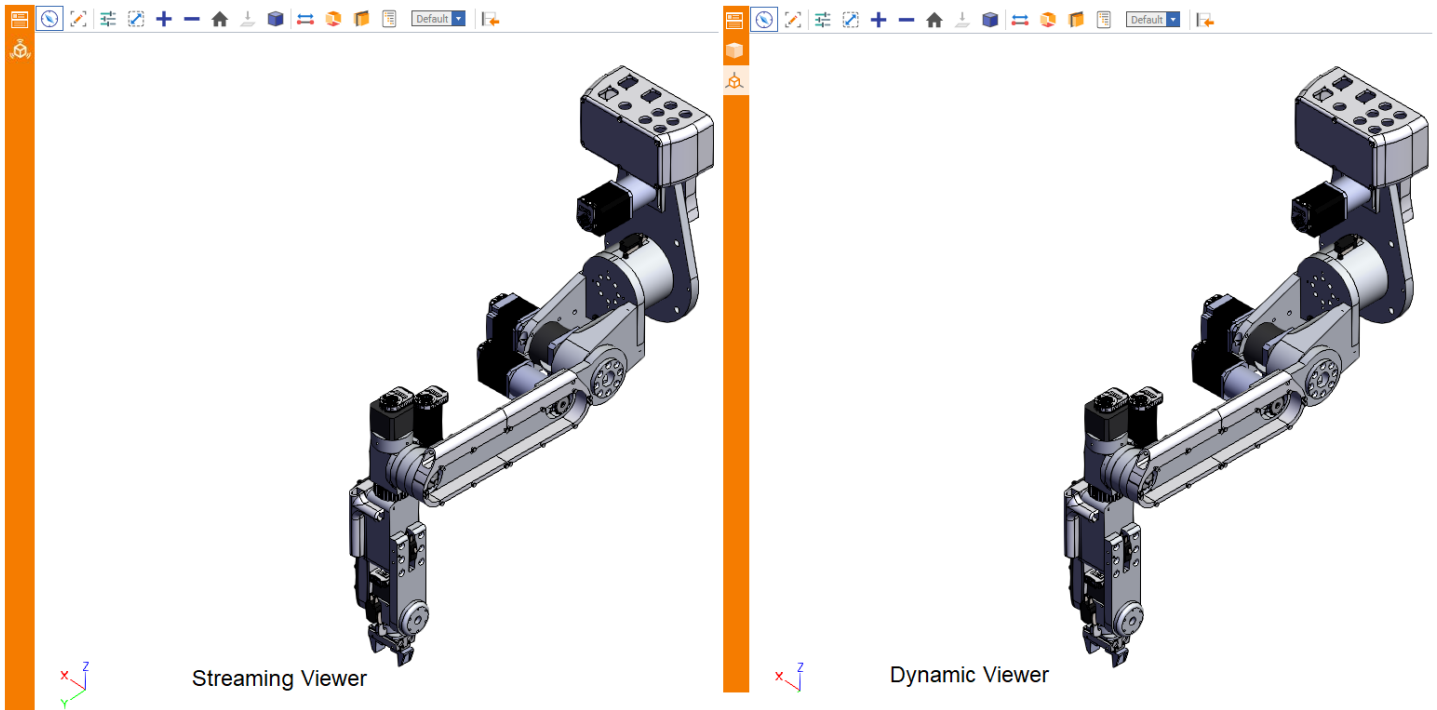


By default, the **Model Browser** section is shown at the first opening of the both Dynamic as well as the Streaming Viewer for a given CAD Document in the current logging session.



Clicking the **Model Browser** button shows or hides the **Model Browser** section right after the left sidebar.





The **Model Browser** section has two tabs:

- **Model:** a Tree Grid View (TGV) showing a tree of CAD Documents included in a CAD assembly representing a given 3D CAD model with capabilities to:
 - Navigate through subassemblies and parts in a given assembly.
 - Quickly select a necessary subassembly or part.
 - Configure which CAD Document versions should be loaded into the Dynamic or in the Streaming Viewers through Structure Resolution Parameters.
 - Create and manage digital mockups.
- **Views:** a list of model views with capabilities to:
 - Create, delete, and restore Saved Views.
 - Switch quickly between viewing positions available for a given 3D CAD model.