

Configuring Display Style

The **Set Display Style** button on the **Standard Viewing** toolbar provides access to a separate toolbar with options on how to display a given 3D CAD model.

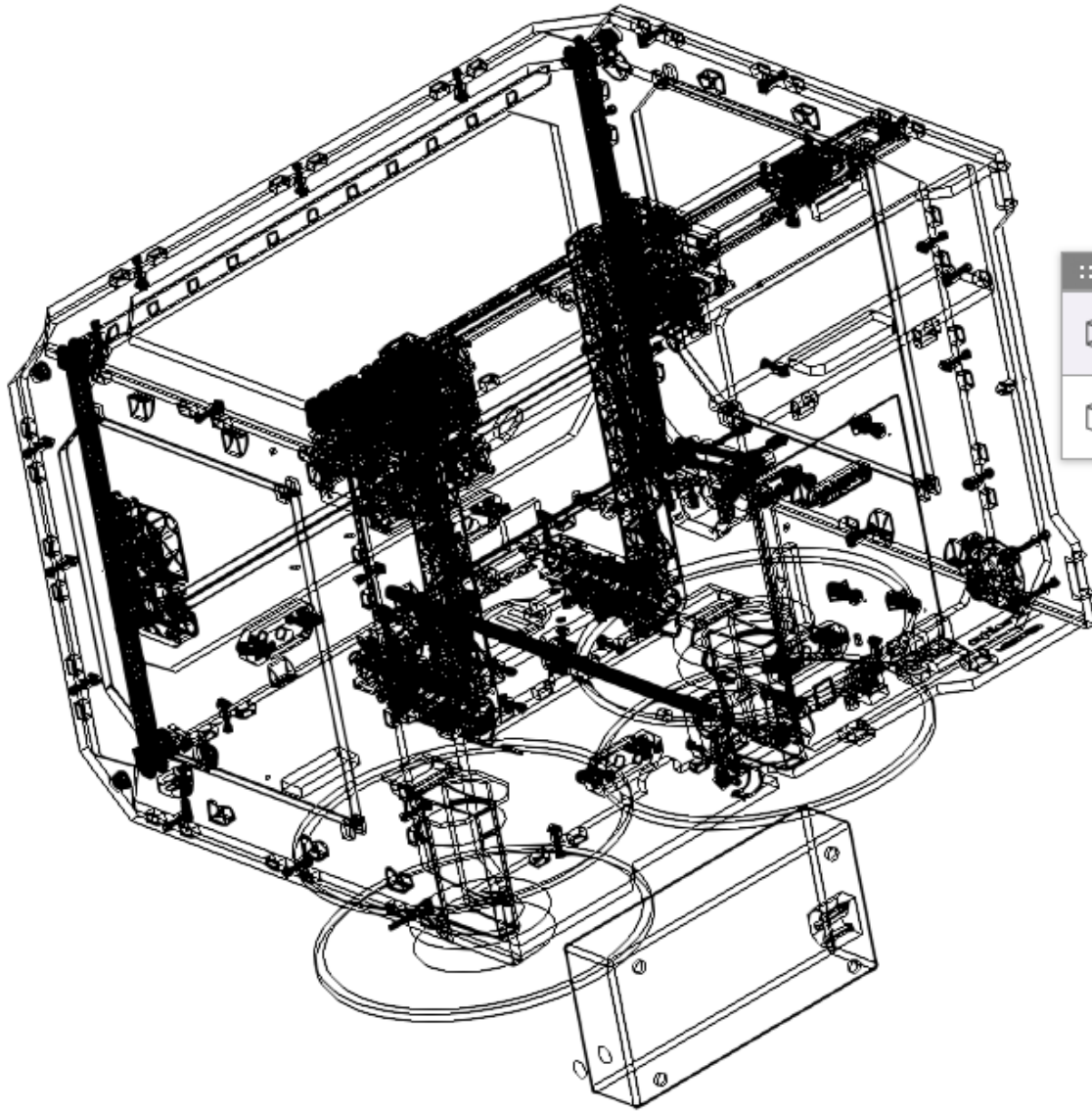


With the toolbar in question, an end user can set the following ways of displaying a 3D CAD model:



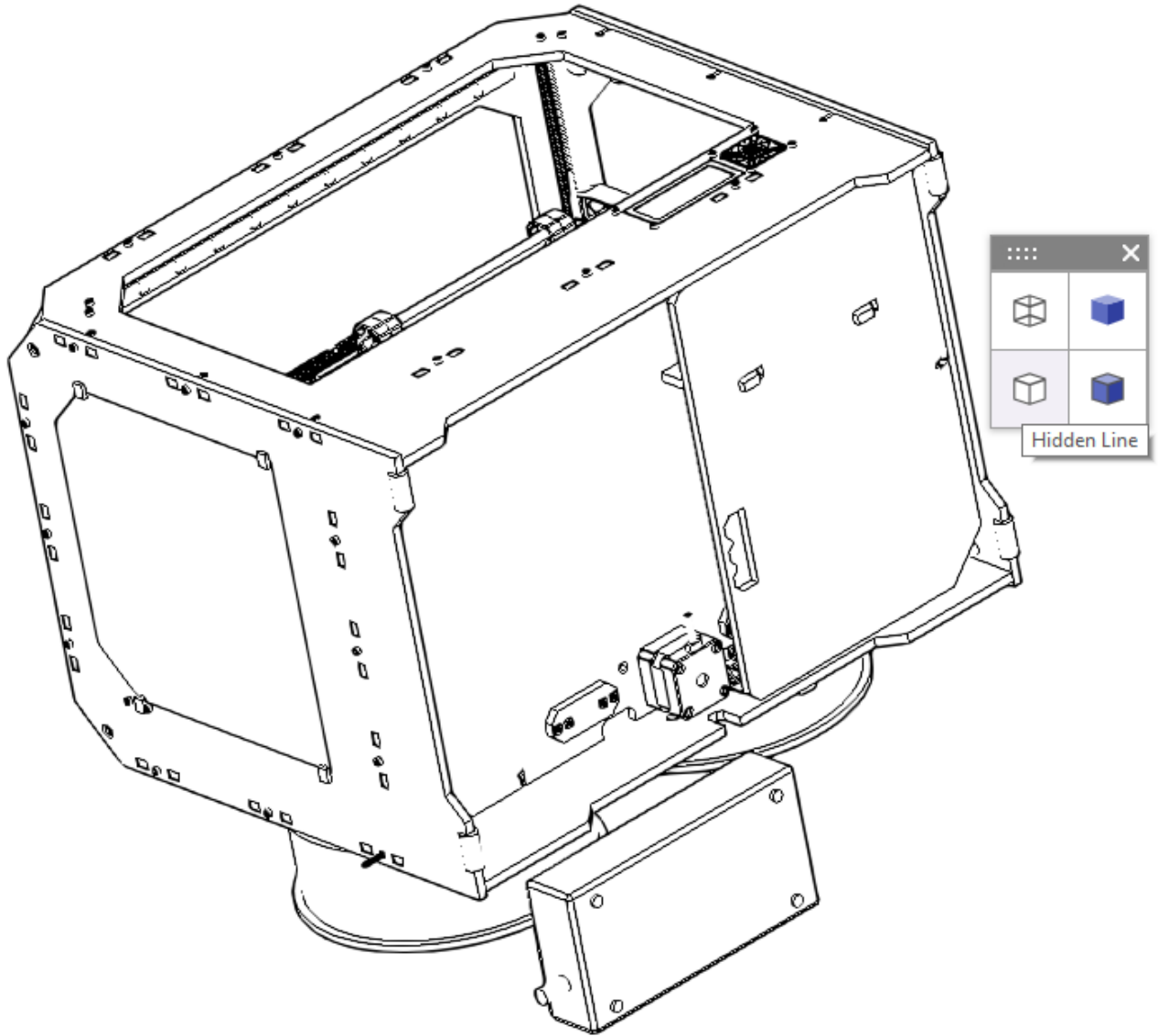
1. **Wireframe:** outer and inner model wireframes (edges) are shown in black. All surfaces are transparent.





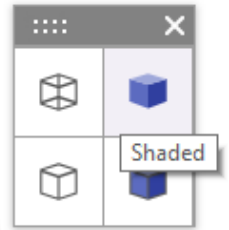
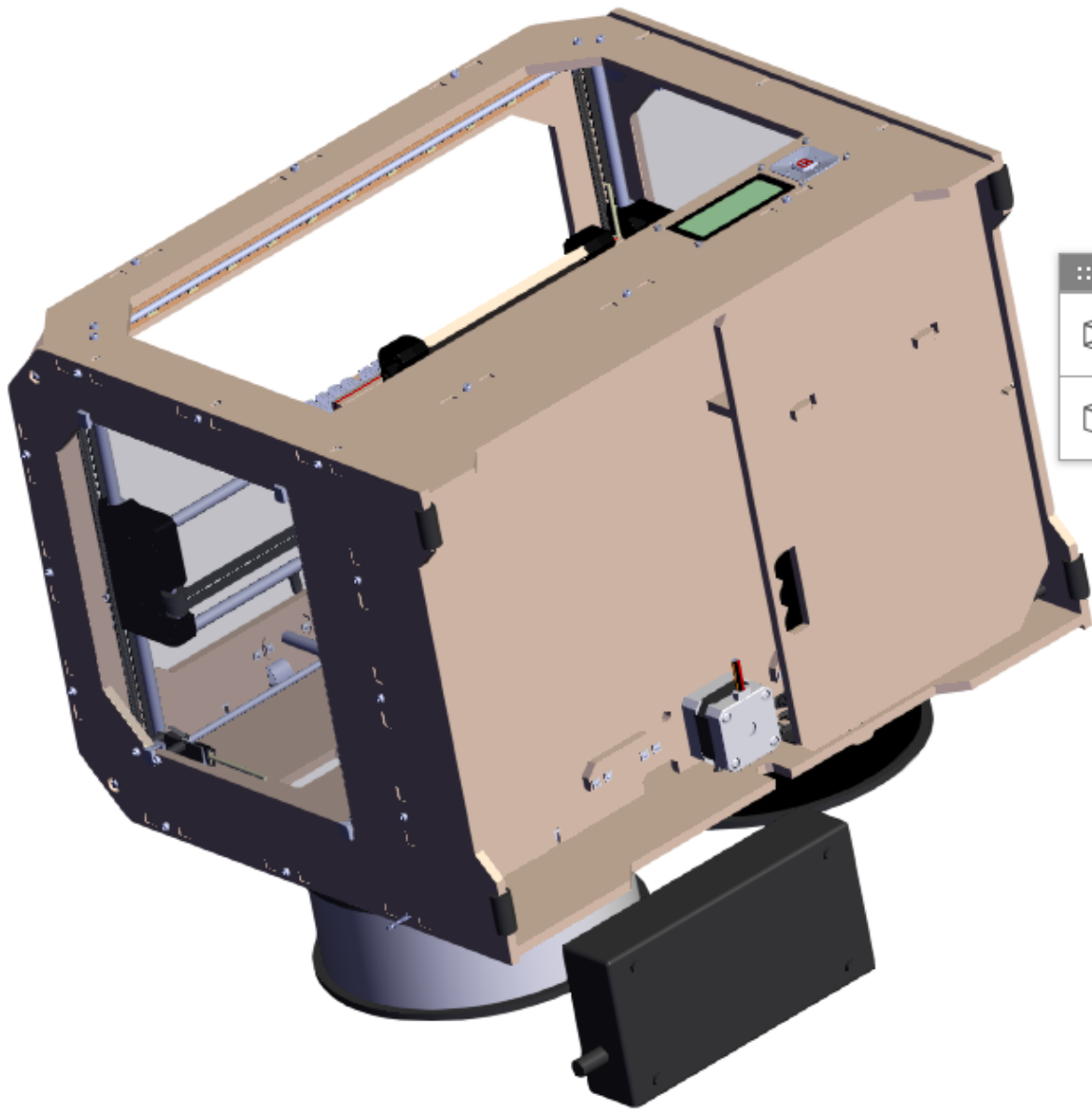
2.

3. **Hidden Line:** outer model surfaces are shown in white with black edges.



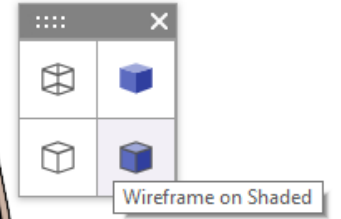
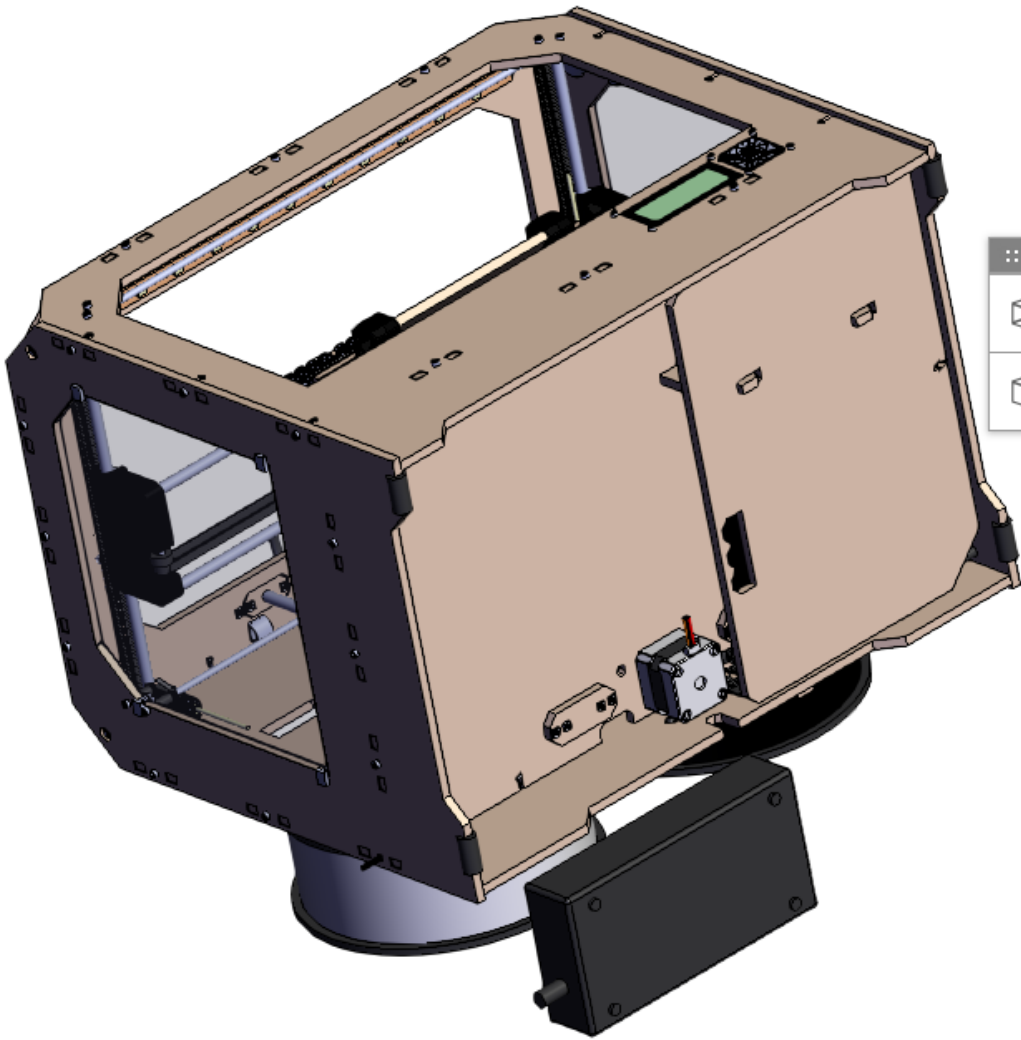
- 4.
5. **Shaded:** outer model surfaces are shown in color with transparent edges.





- 6.
- 7. **Wireframe on Shaded:** outer model surfaces are shown in color with black edges. This is the default display style.





8.

