

# Multi-Selection

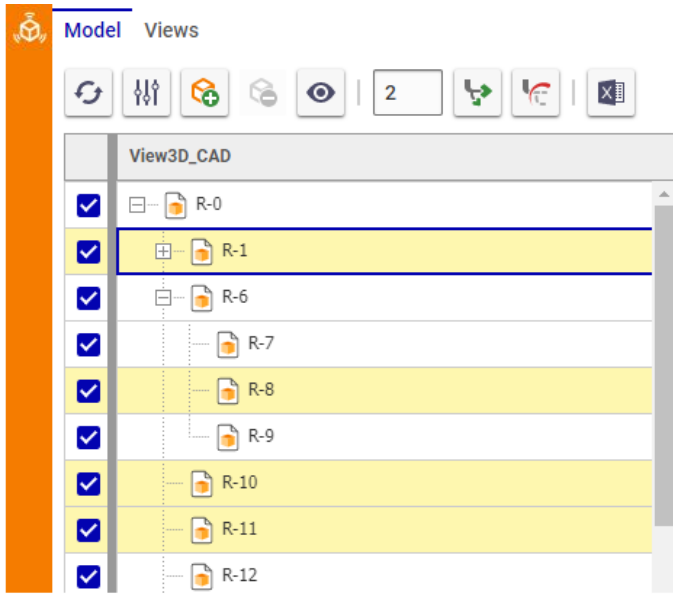
The Dynamic and Streaming Viewers also support multi-selection: one or more subassemblies and parts can be selected during viewing.

There are two ways to select multiple subassemblies and parts:

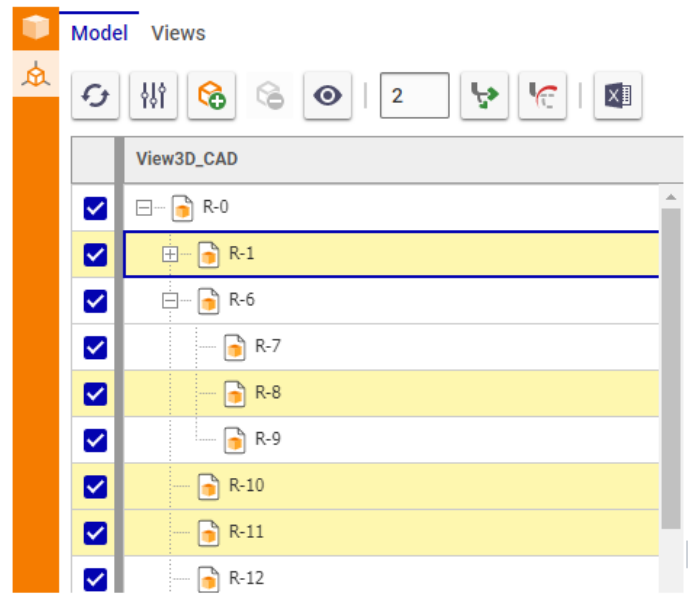
- Click each object on the 3D scene to be selected while pressing the Ctrl key on the keyboard.



- Click each **CAD Document** in the Models TGV grid to be selected while pressing the Ctrl key on the keyboard.



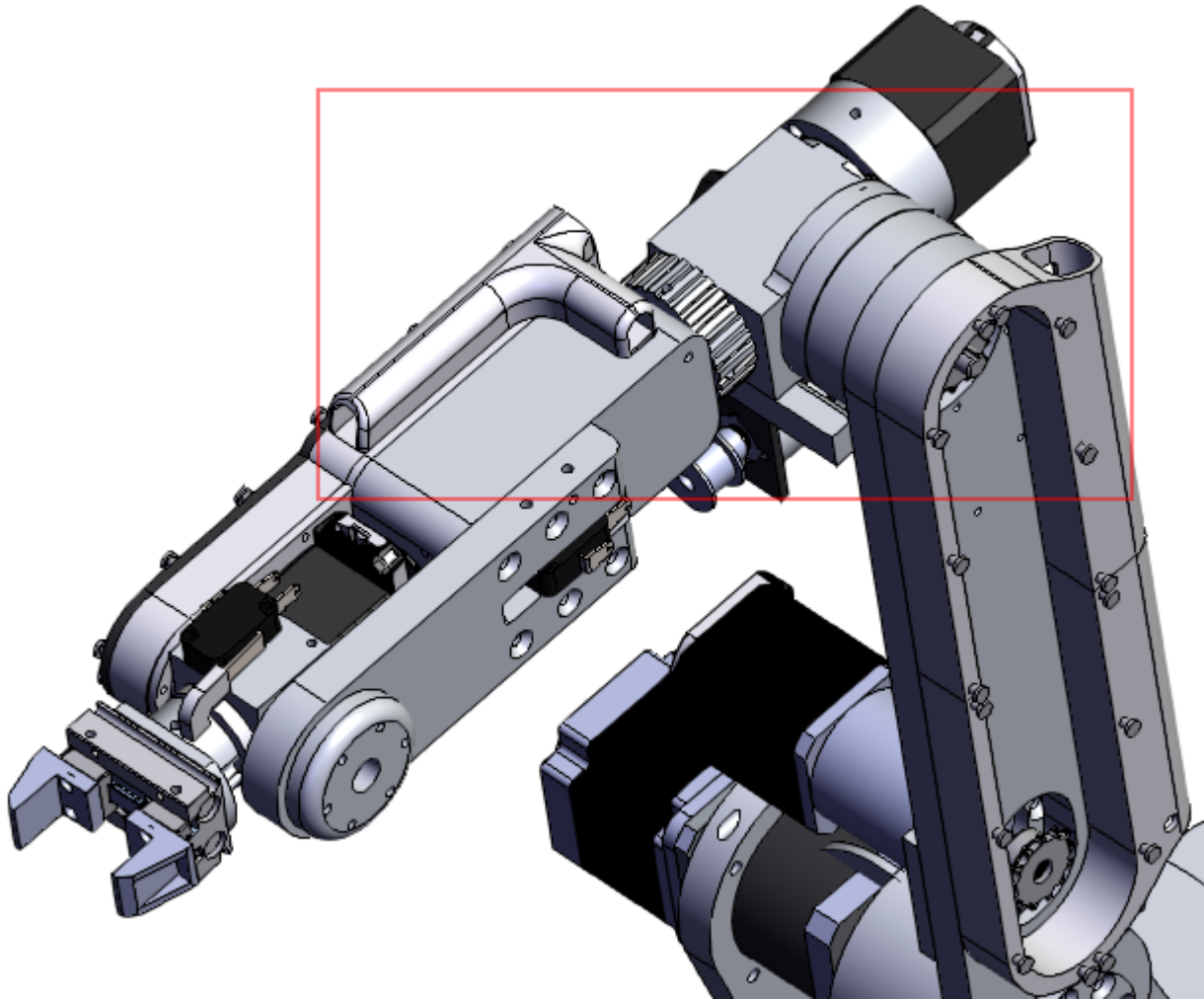
Streaming Viewer



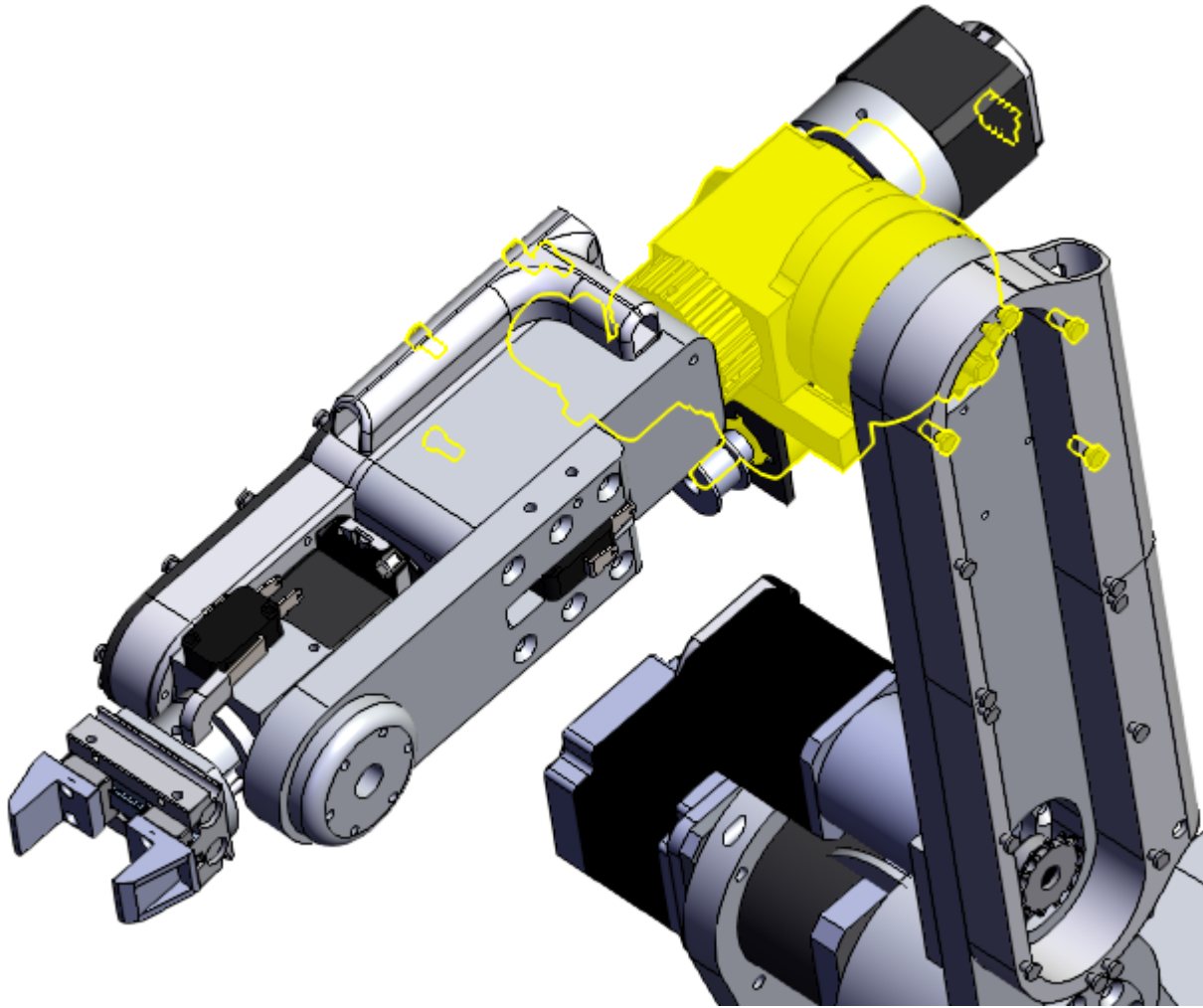
Dynamic Viewer

- Click and drag the cursor on the 3D scene while pressing the Ctrl key on the keyboard to select multiple objects in an arbitrary area. Incremental additions to selection are possible while pressing Ctrl. Objects selected depends on a dragging direction:
- If dragging from left to right, the selection box is red.

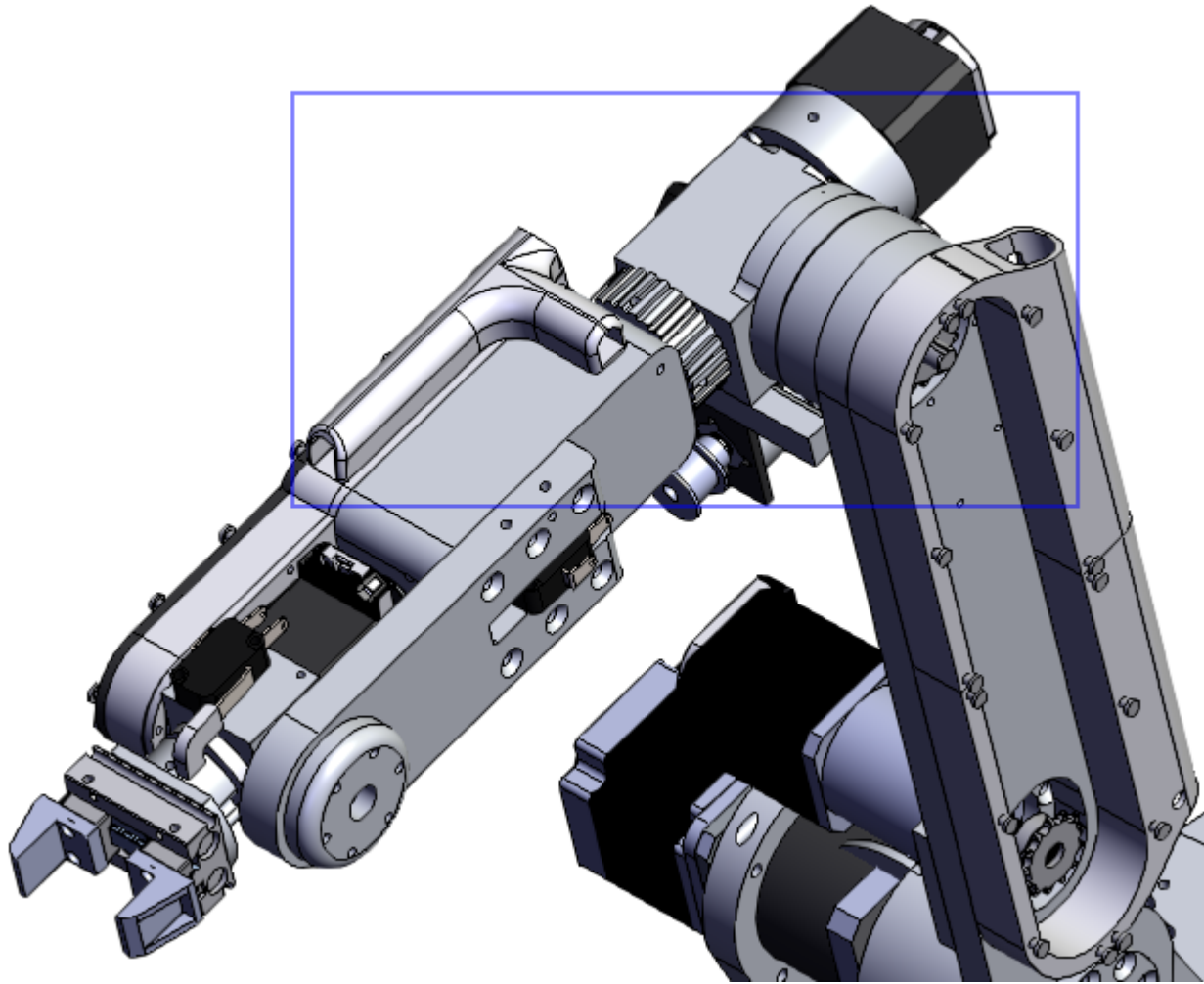




The dragging right will select objects which are completely enclosed in the red selection box area.



- If dragging from right to left, the selection box is blue.



The dragging left will select objects which are partially enclosed in the blue selection box area.

