

# Configuring Display Style

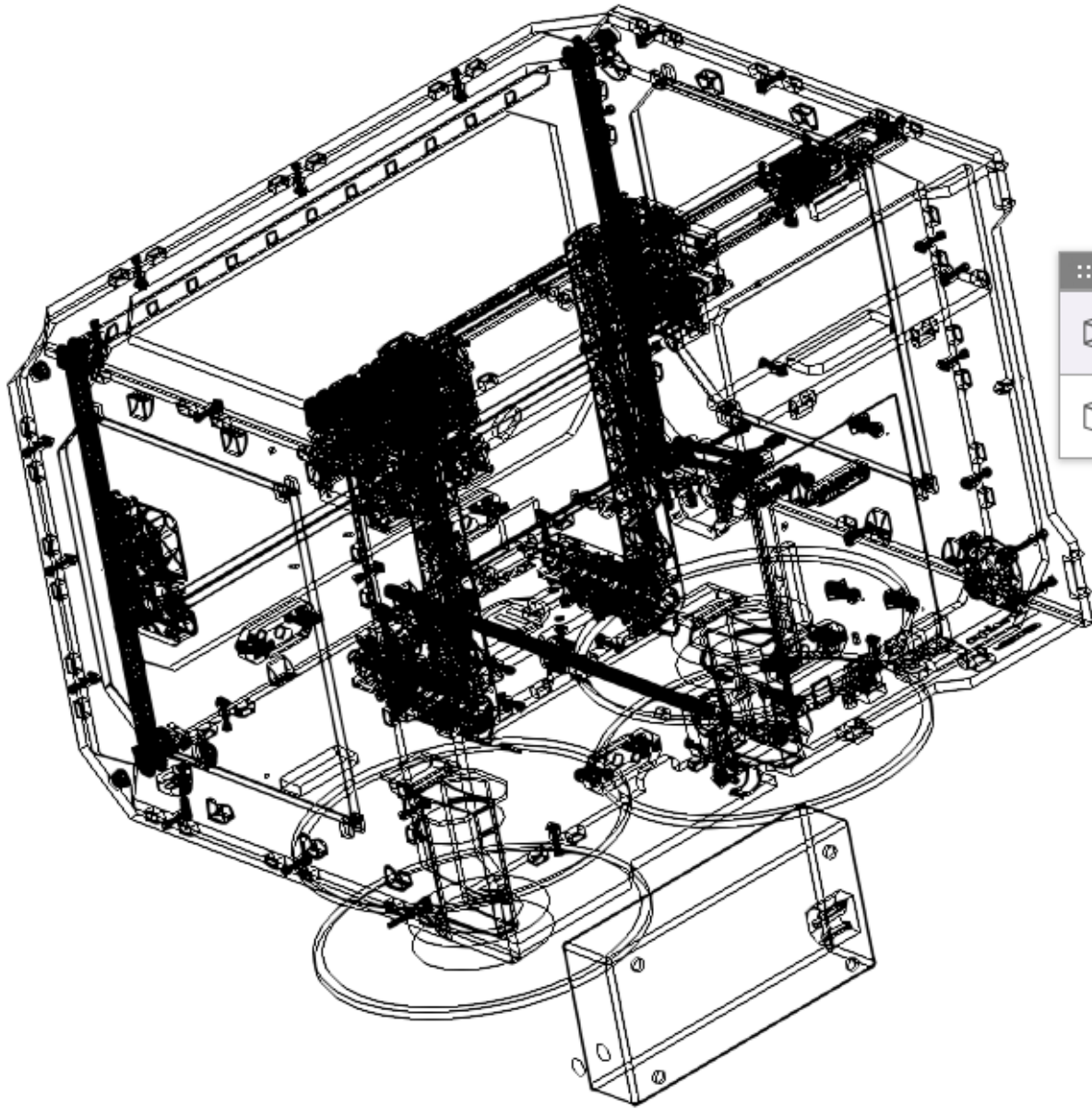
The **Set Display Style** button on the **Standard Viewing** toolbar provides access to a separate toolbar with options on how to display a given 3D CAD model.



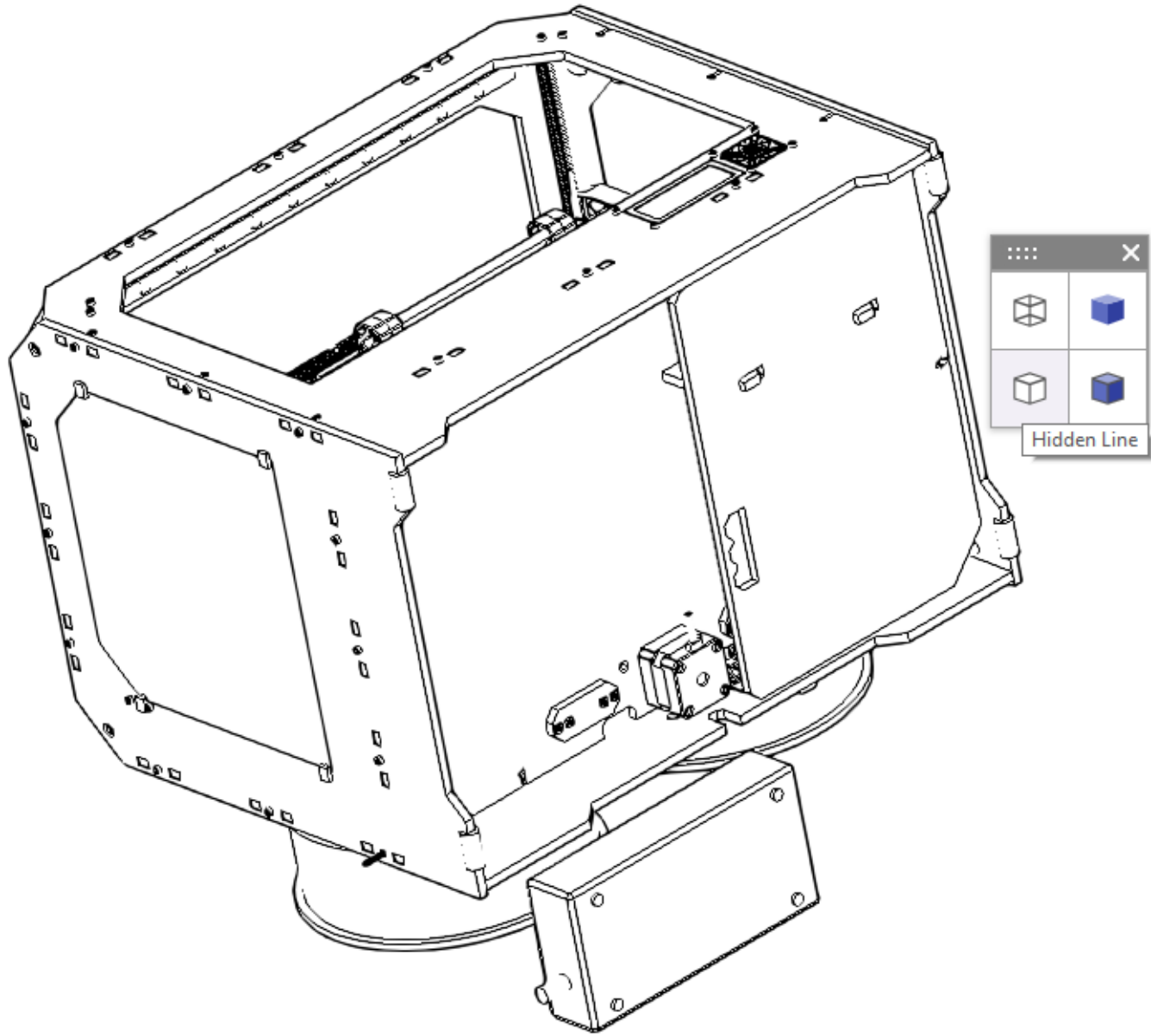
With the toolbar in question, an end user can set the following ways of displaying a 3D CAD model:



1. **Wireframe**: outer and inner model wireframes (edges) are shown in black. All surfaces are transparent.

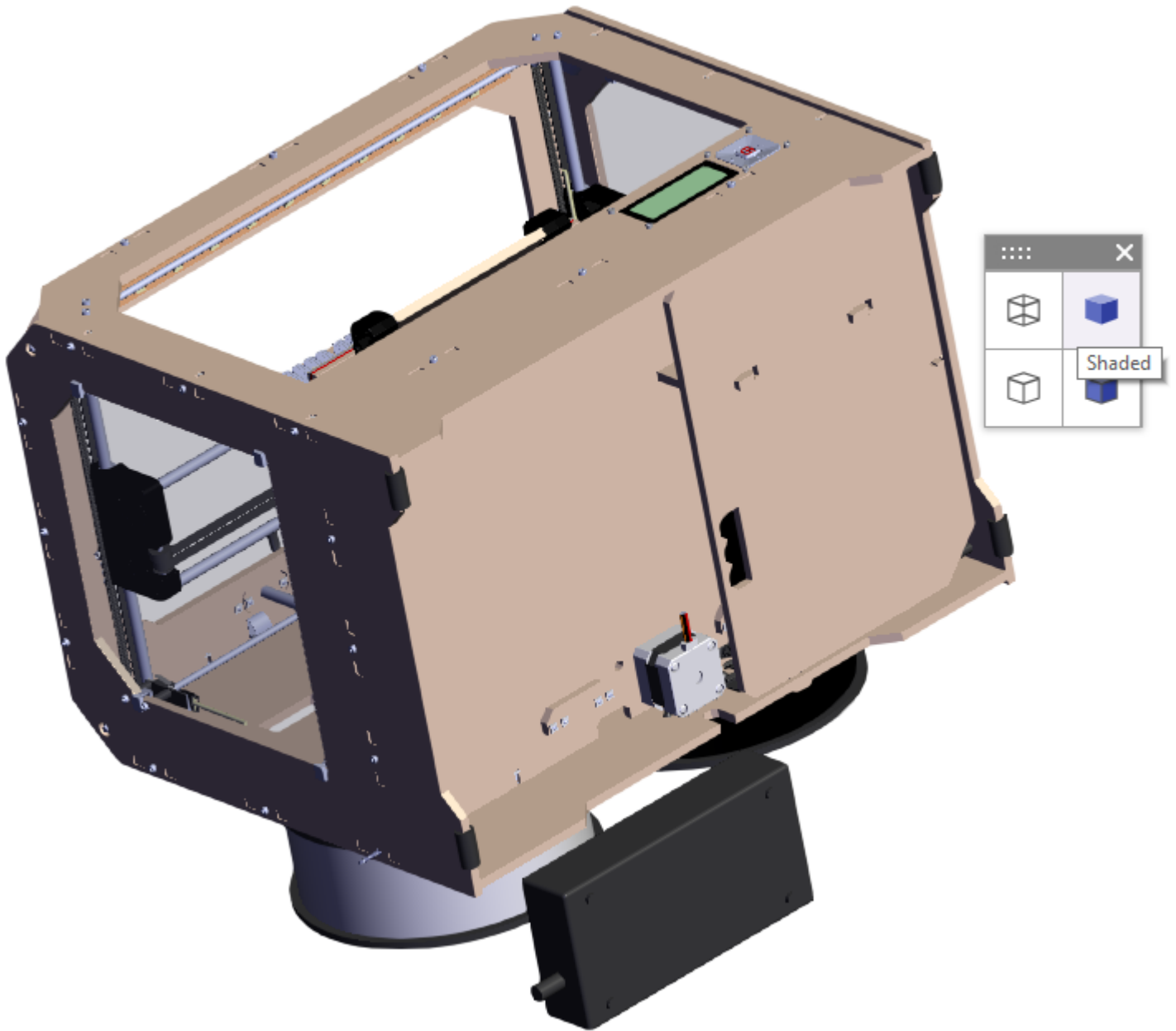


2. **Hidden Line:** outer model surfaces are shown in white with black edges.



3. **Shaded:** outer model surfaces are shown in color with transparent edges.





4. **Wireframe on Shaded**: outer model surfaces are shown in color with black edges. This is the default display style.

