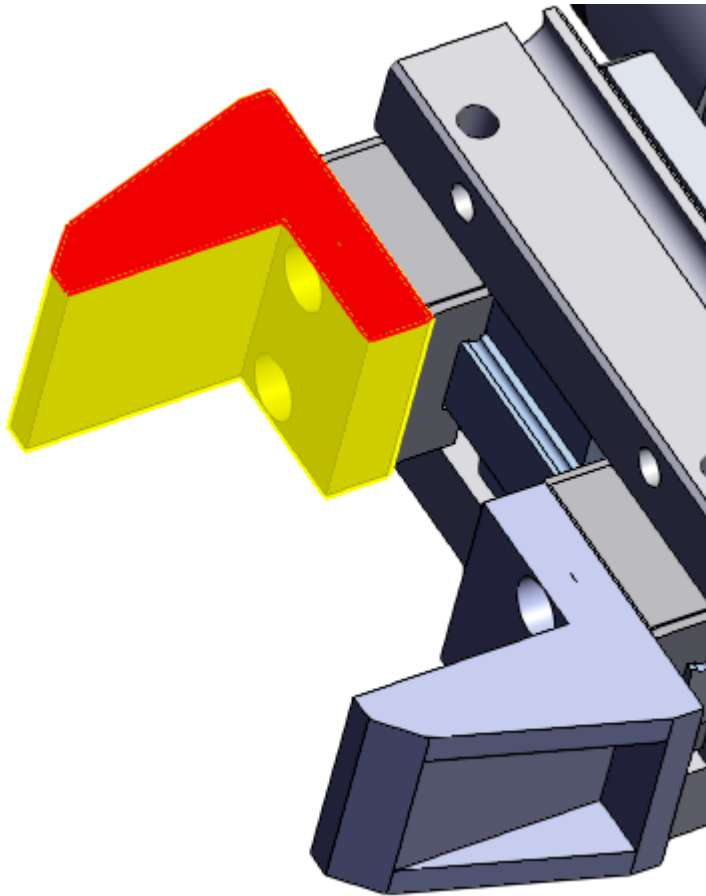


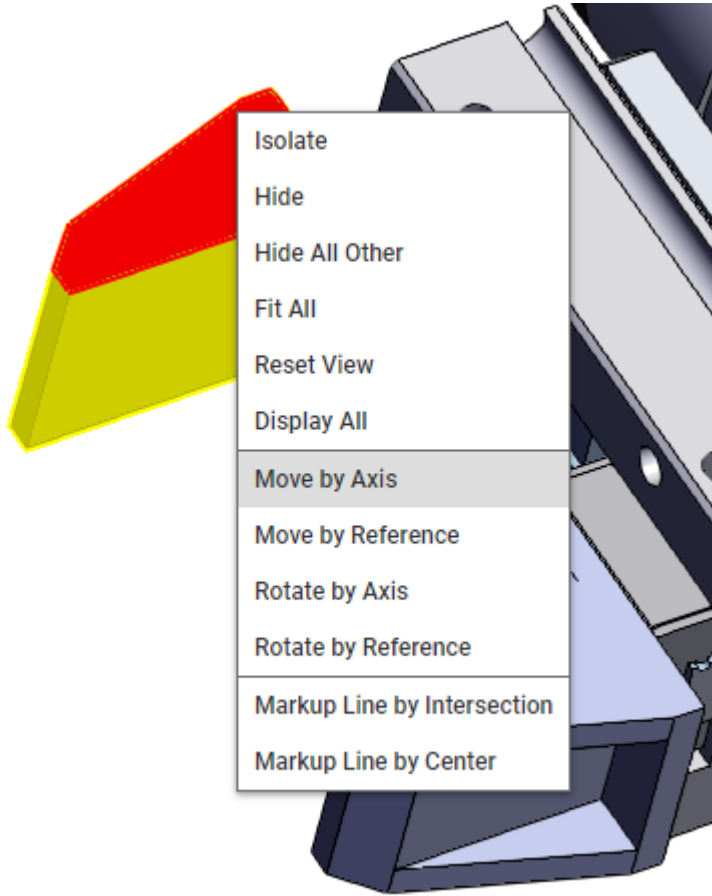
Moving Parts by Axis

The following steps outline the process to move a subassembly or a leaf part along one or more of the X, Y, and Z axes in its own coordinate system:

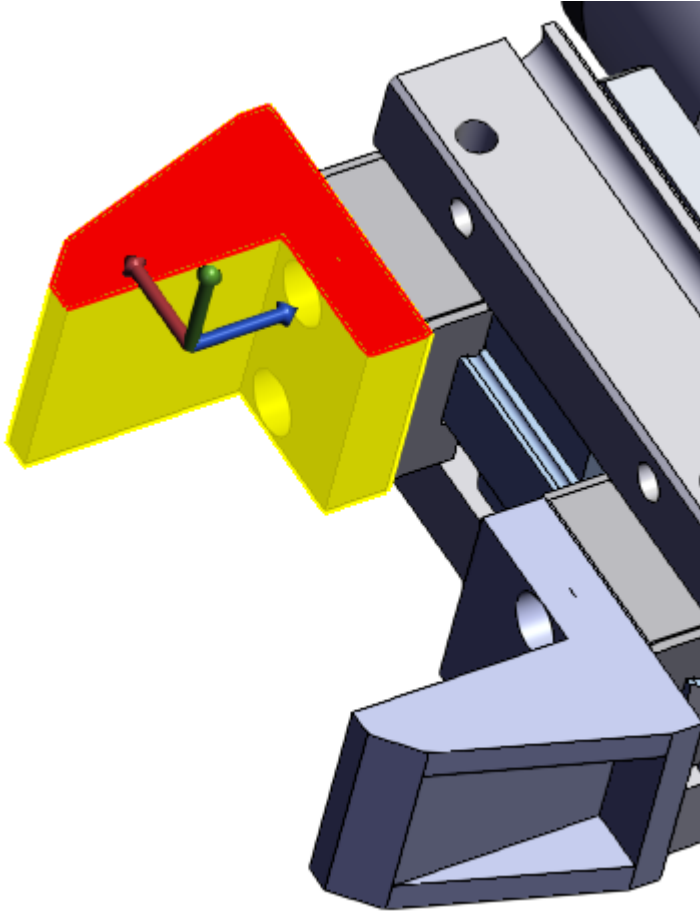
1. Select the subassembly or part.



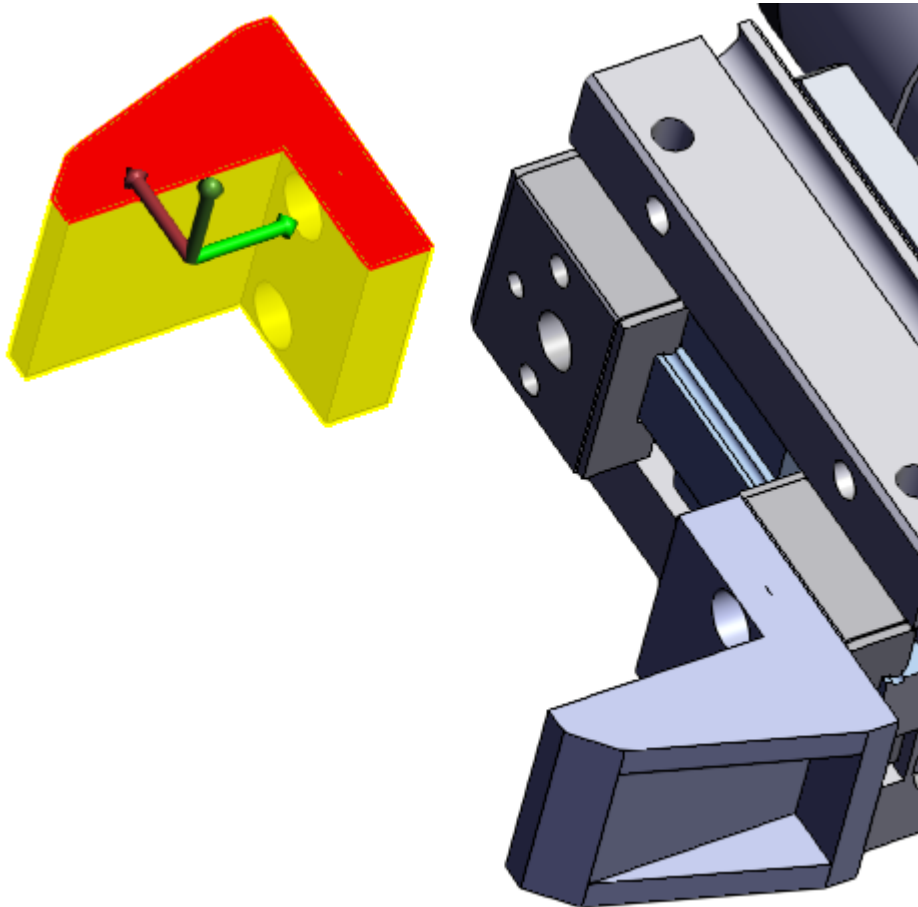
2. Right-click the subassembly or part.



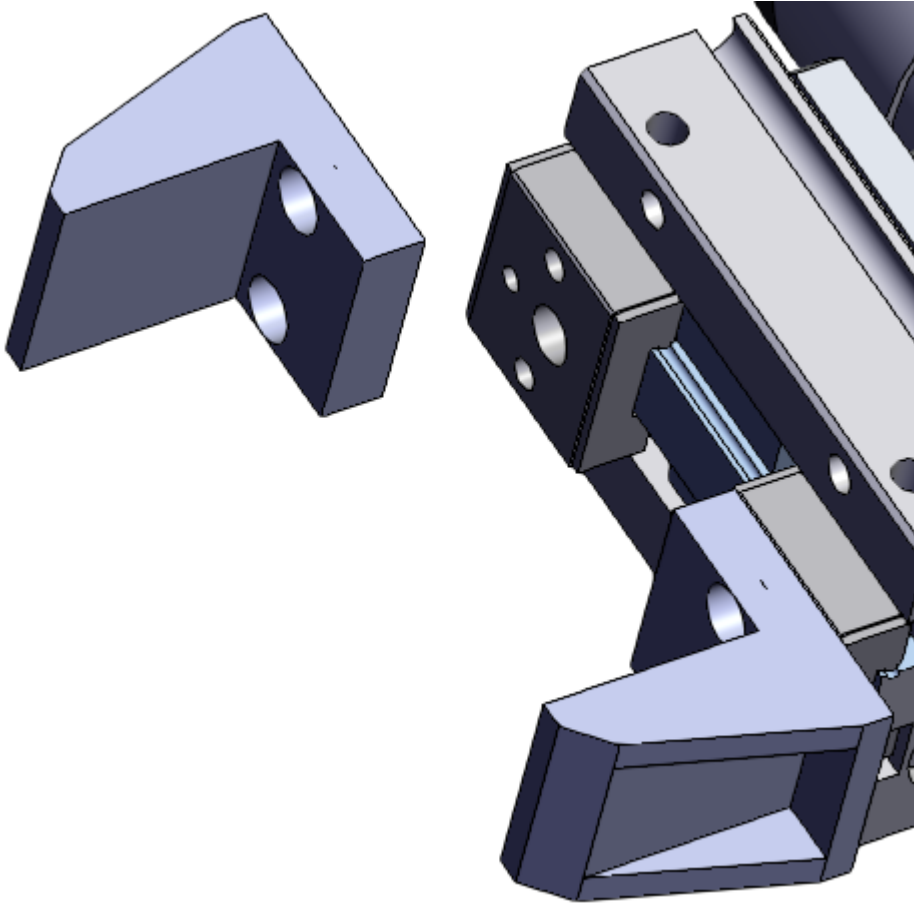
3. Click **Move by Axis** in the **Part** context menu. The **X**, **Y**, and **Z** movement axes appear near the model.



4. Drag the X, Y, and Z axes by one to move the subassembly or part as necessary.



5. Once the necessary position is achieved, quit the manual geometry transformation mode. This can be done in two ways:
 - o Click outside the moved subassembly or part.
 - o Press Escape on the keyboard.



The new subassembly or part position is preserved. The 3D CAD model is ready for viewing and other manipulations.

