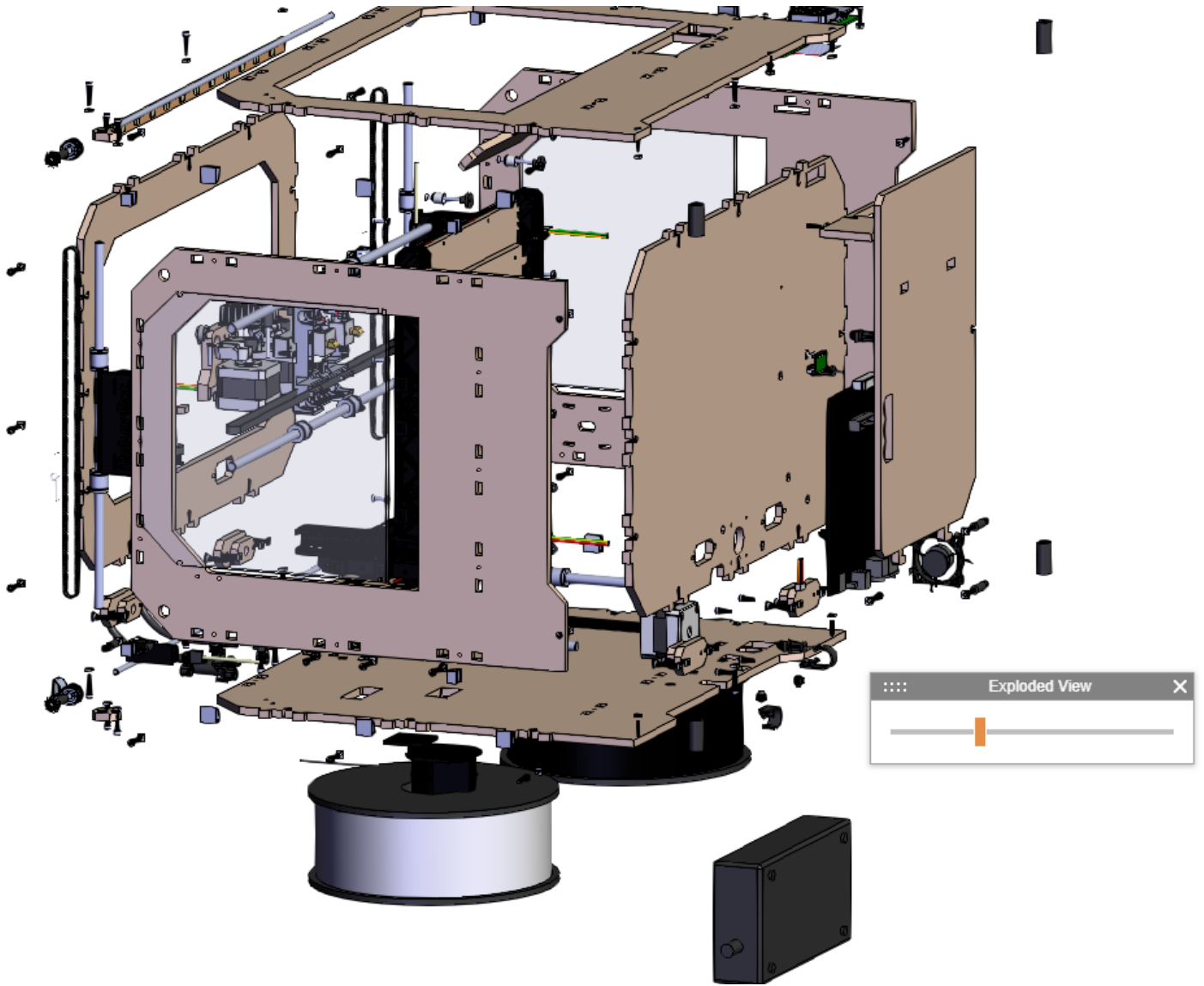


Exploding CAD Models

The **Exploded View** button on the **Standard Viewing** toolbar provides access to the separate **Exploded View** toolbar.



With the **Exploded View** toolbar, end users can view assemblies as a set of separated parts to be fitted by dragging the slider: the more it is moved to the right, the more separated the parts become.



In the exploded view, other viewing and markup features are available except for measurements. A measurement that had been done before exploding a given 3D model is hidden during exploding and becomes visible once this 3D model is shown not exploded.

To quit the exploded view, either:

- Close the **Exploded View** toolbar
- Click **Reset View** in the **3D Scene** or **Part** context menu.

