

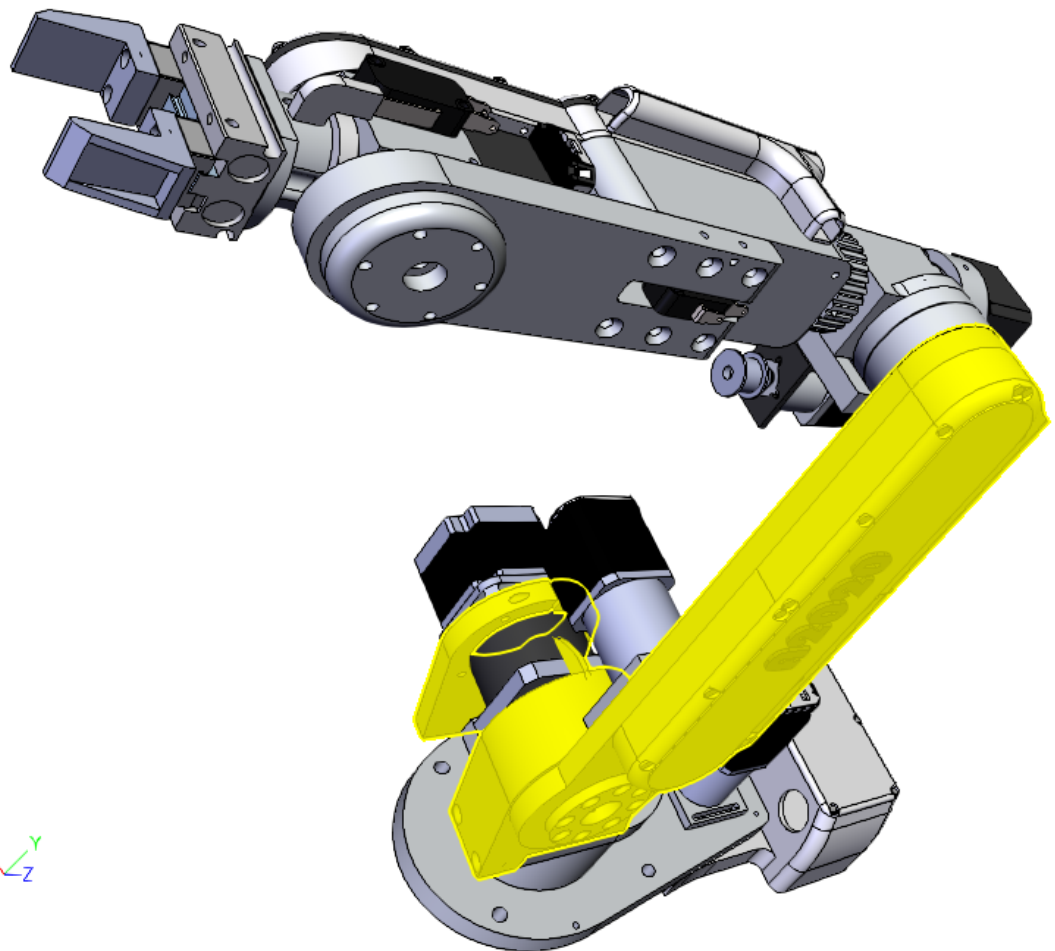
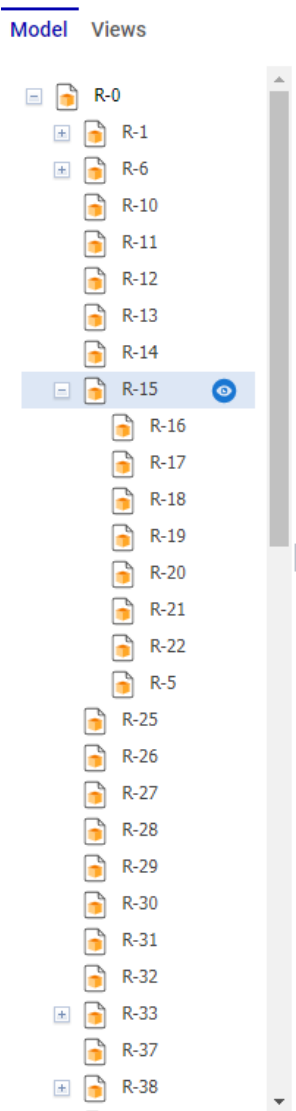
Browsing CAD Model Assemblies and Parts with Monolithic Viewer

The **Model** tab of the **Model Browser** section provides end users with quick navigation through an assembly structure shown as a tree of CAD Documents.

Selecting Parts in Model Browser

Part selection is synchronized between the CAD Document tree on the **Model** tab of **Model Browser** and a given 3D CAD model. Clicking a part or surface on the model selects this part on the model and its CAD Document in the tree. And vice versa, clicking a CAD Document in the tree selects its part or assembly on the model as well.





Hiding and Unhiding Parts with Model Browser

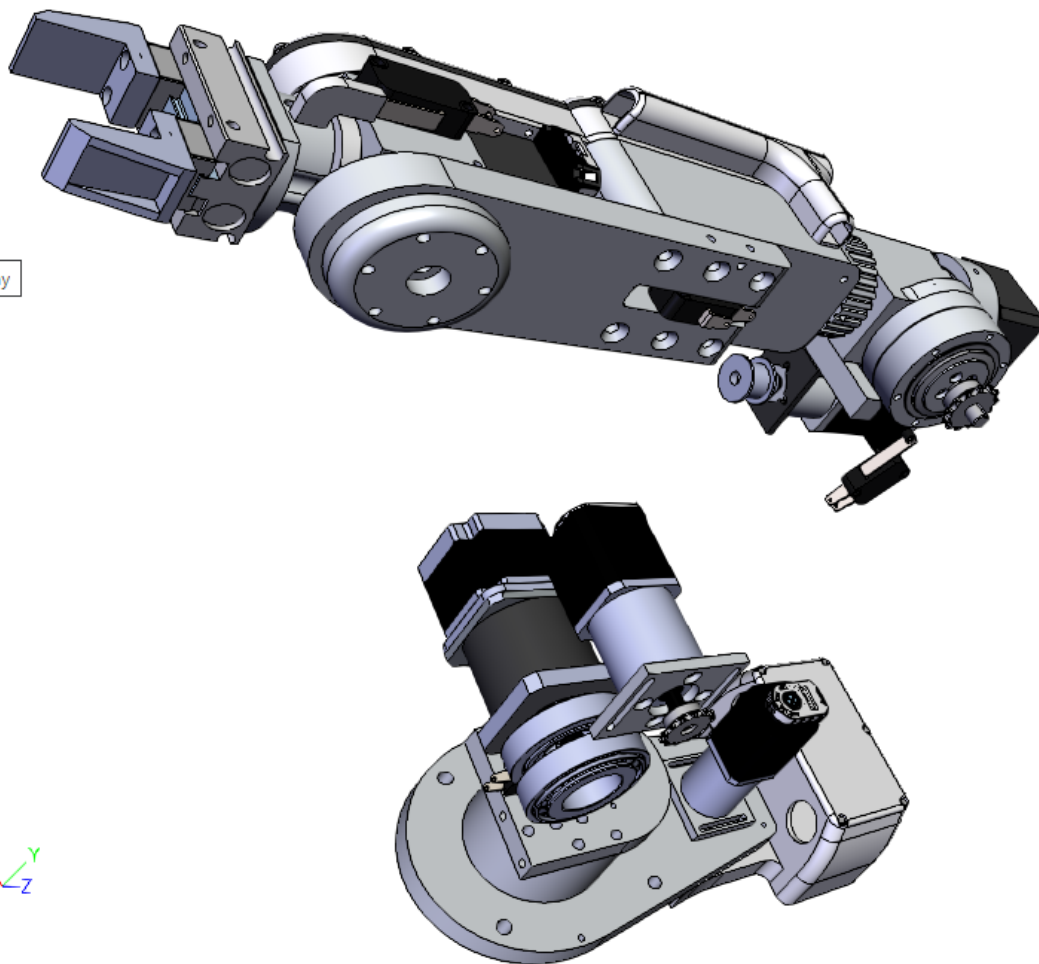
Each CAD Document in the **Model** tab of **Model Browser** has the **Toggle Part Display** button to hide or show its represented part or assembly on the model. CAD Documents of hidden parts and assemblies are light grey in the tree.



Model Views

- [-] R-0
 - [+] R-1
 - [+] R-6
 - R-10
 - R-11
 - R-12
 - R-13
 - R-14
 - [+] R-15
 - R-16
 - R-17
 - R-18
 - R-19
 - R-20
 - R-21
 - R-22
 - R-5
 - R-25
 - R-26
 - R-27
 - R-28
 - R-29
 - R-30
 - R-31
 - R-32
 - [+] R-33
 - R-37
 - [+] R-38

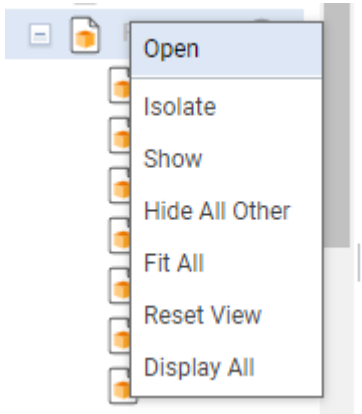
Toggle Part Display



Part Context Menu in Model Tree

Right-clicking a CAD Document in the **Model** tab of **Model Browser** displays the **Part** context menu for this CAD Document and its represented part or assembly.





The **Model** tree fully reuses the **Part** context menu, its commands, and their behavior as discussed in the Part Context Menu section. The only exception is the **Hide** command, which is:

- Shown for a CAD Document whose part or assembly is visible on a 3D CAD model.
- Replaced by the **Show** command for a CAD Document whose part or assembly is hidden on a 3D CAD model.

Clicking the **Show** command makes a given hidden part or assembly visible on a 3D CAD model.

