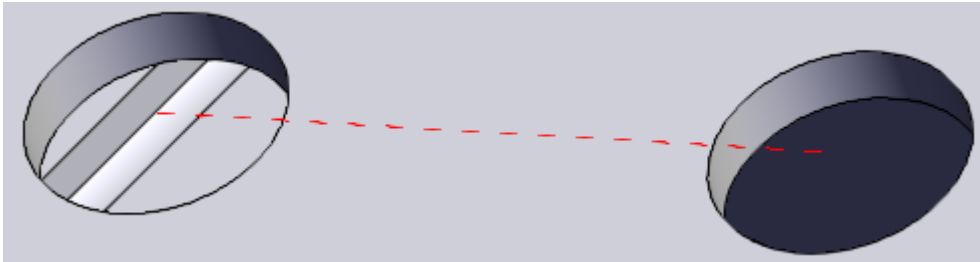


Removing Markup Lines

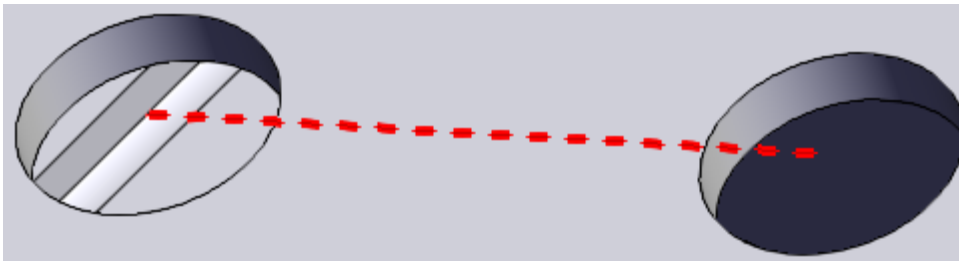
An end user can remove a single markup line or clear given 3D CAD models from all lines with a single command.



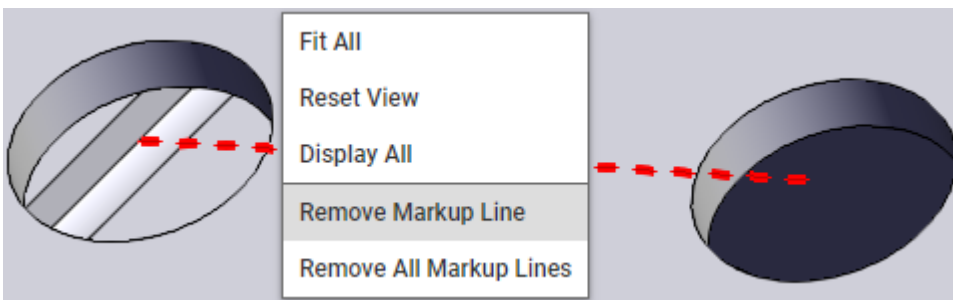
Removing Single Markup Line

The following steps outline the process to remove an existing markup line on one or more 3D CAD models:

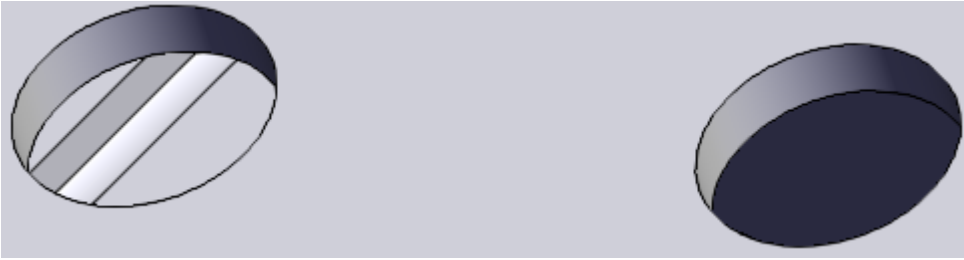
1. Click the markup line to be removed. The line becomes bold.



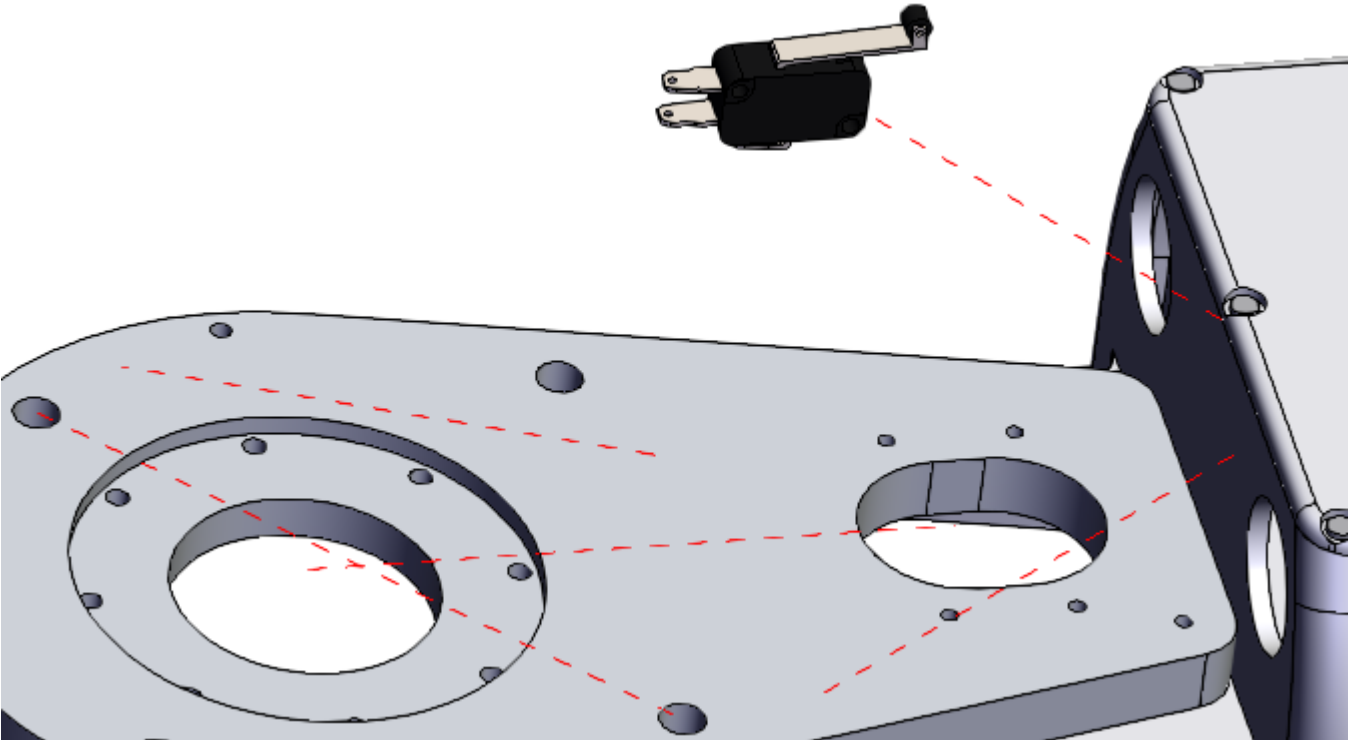
2. Right-click and then click **Remove Markup Line**.



The markup line is removed from the 3D scene and cannot be restored.

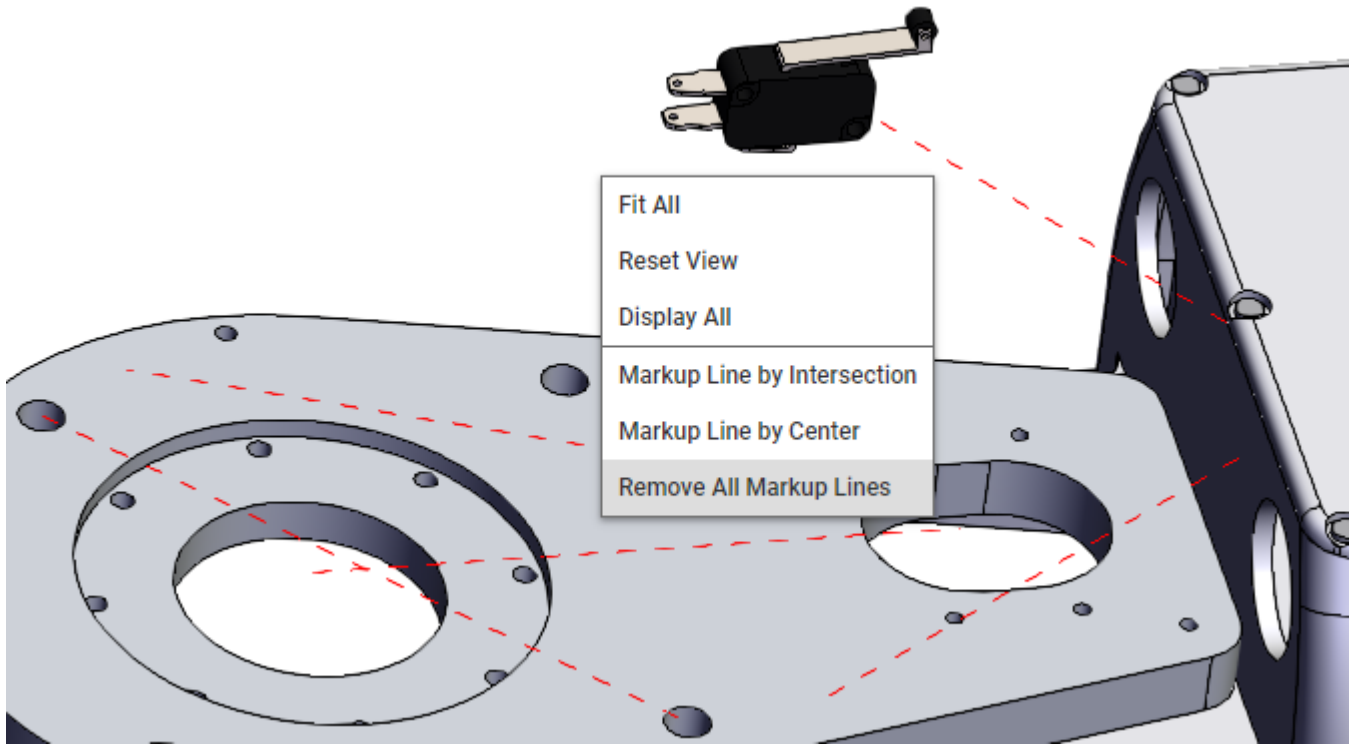


Clearing 3D Scene from All Markup Lines



The following steps outline the process to clear 3D CAD models on the 3D scene from all markup lines:

1. Right-click anywhere on the 3D scene.
2. Click Remove All Markup Lines.



All markup lines are removed from the 3D scene and cannot be restored.

