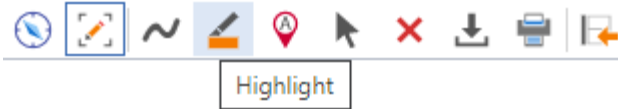
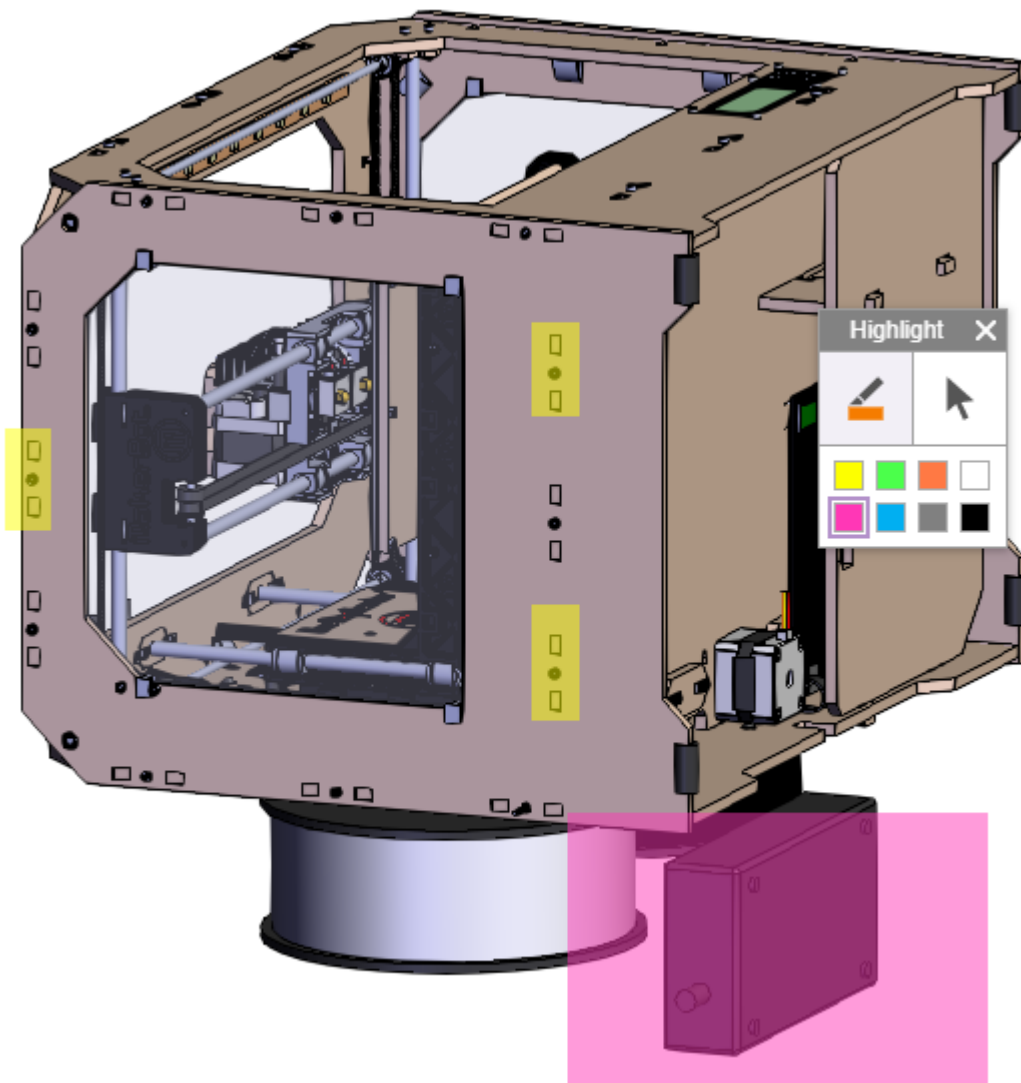


# Highlighting Areas on CAD Models

The **Highlight** button on the **Basic Markup** or **Standard Markup** toolbar provides access to the highlighting feature.

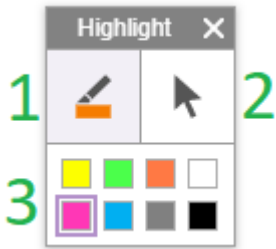


With the discussed feature, an end user can draw arbitrary rectangular areas on a 3D CAD model.



Depending on a given toolbar, the feature is displayed as follows:

- **Basic Markup:** as the separate **Highlight** toolbar.



- **Standard Markup:** as additional buttons on this toolbar.



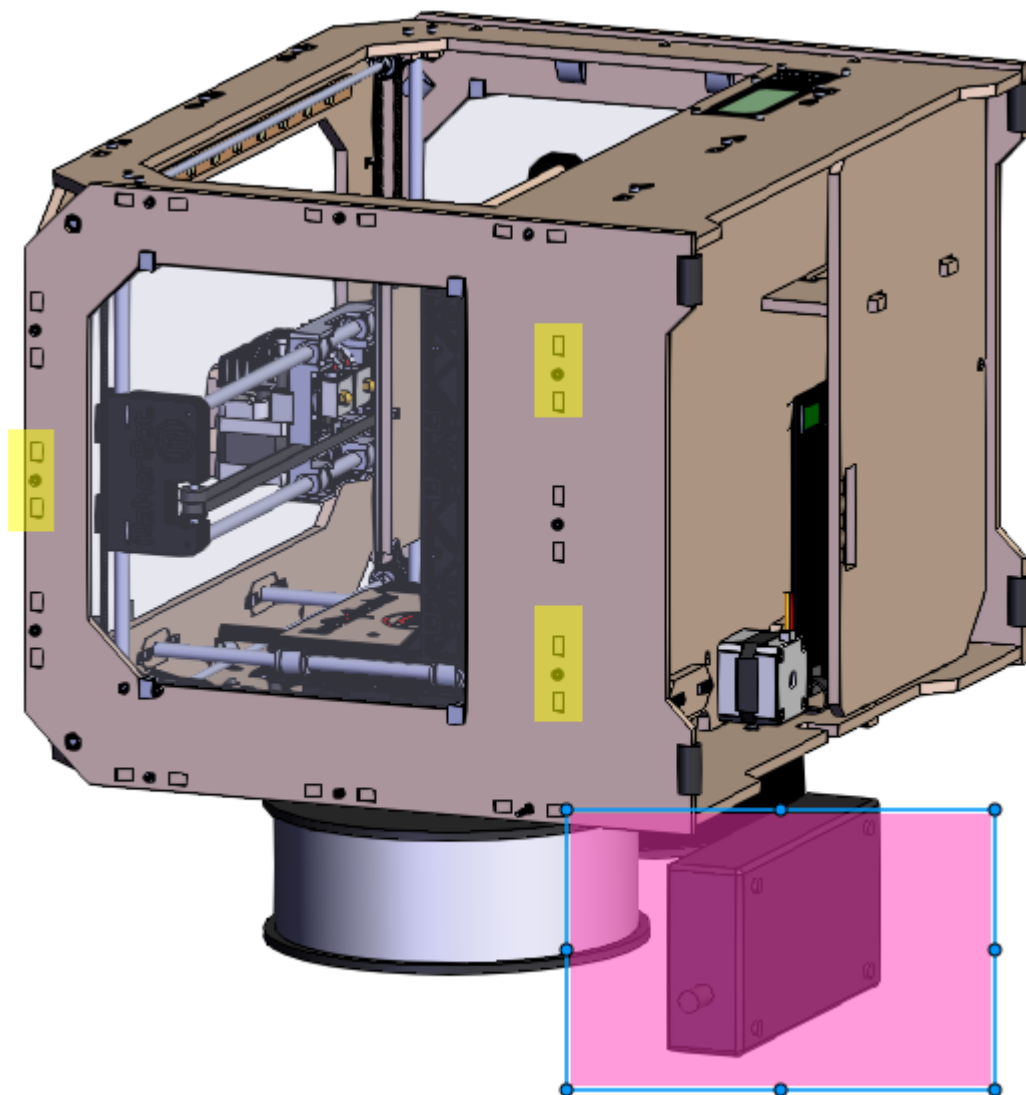
The highlighting feature provides the following functionality:

1. **Highlight:** to draw arbitrary rectangular areas on a 3D CAD model.
2. **Select:** to select markups on a 3D CAD model.
3. **Rectangle colors:** to set the color of a rectangular area to be drawn.

To use a feature or option, a user should click the required button.

To select a drawn rectangle, a user should click **Select** and then select this rectangle. A selected rectangle has blue edges with circles and can be repositioned.





Dragging the blue circles on the edges of a selected rectangle repositions this rectangle.



