

# Measuring CAD Models

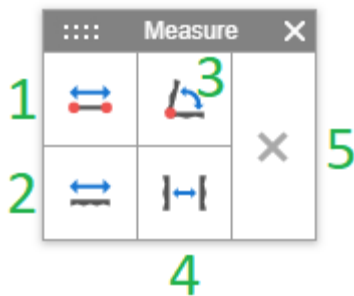
The **Measure** button on the **Standard Viewing** toolbar provides access to the separate **Measure** toolbar with options for measuring the geometrical parameters of a given 3D CAD model.



With the **Measure** toolbar, end users can perform the following measurements of a CAD model:

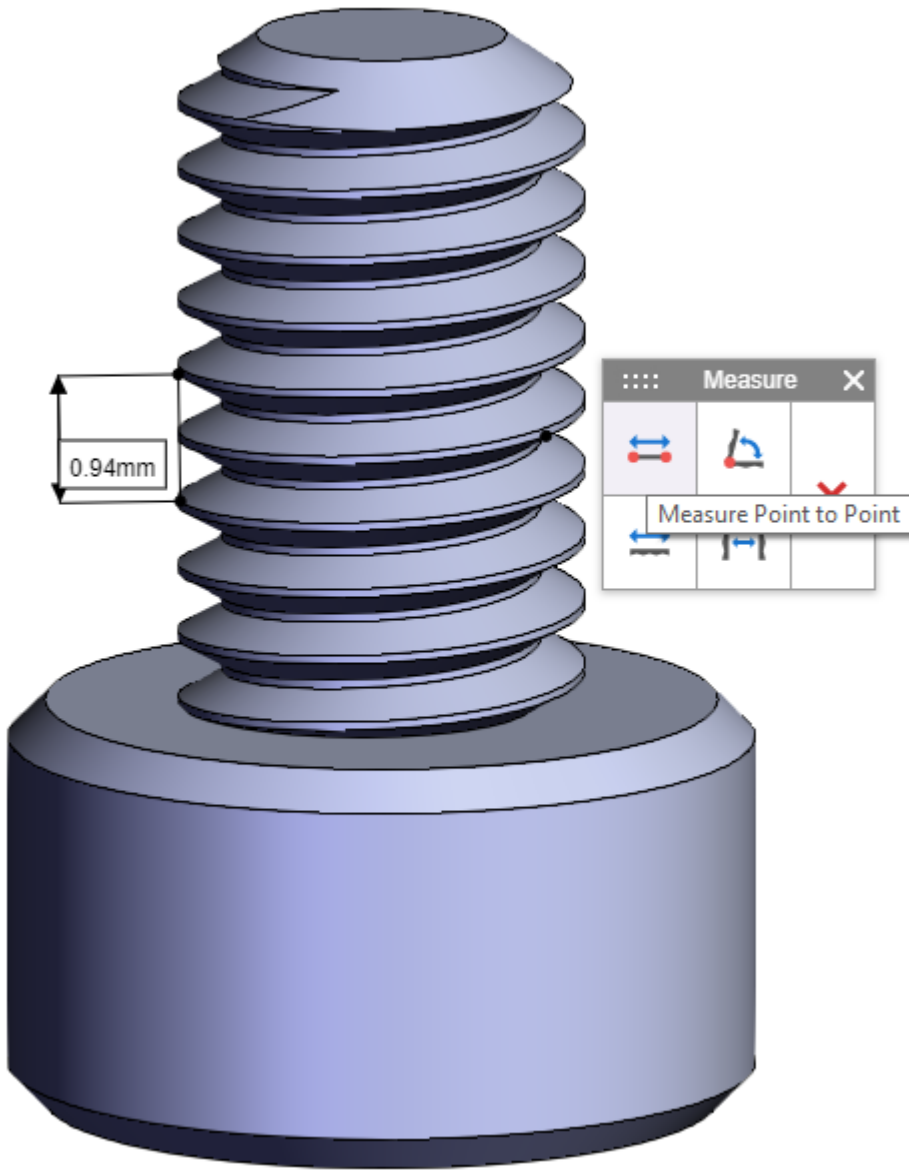
## Important

Measurements are displayed in the CAD model authored units.



1. **Measure Point to Point:** a distance between two arbitrary points.

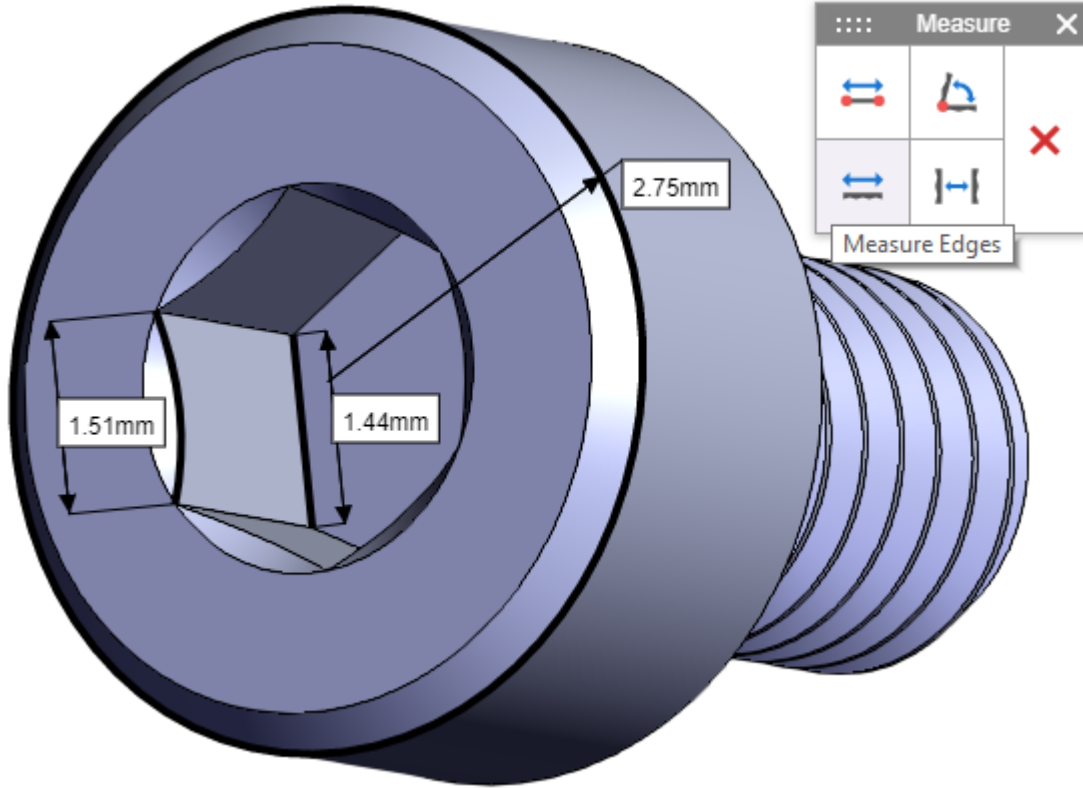
2. Click this button and then click twice on a model to set these points.



3. **Measure Edges:** a length or radius of an arbitrary edge depending on the edge type.



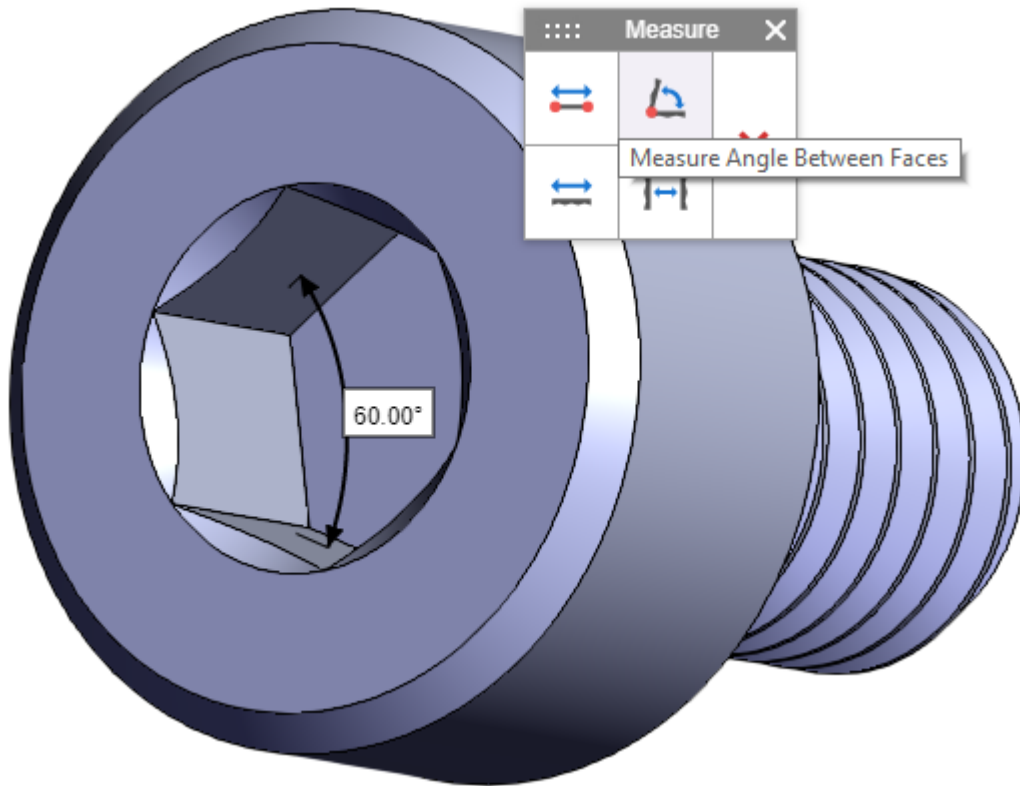
4. Click this button and then click an edge. The measured edges are bold.



5. **Measure Angle Between Faces:** an angle in grades between two arbitrary surfaces.

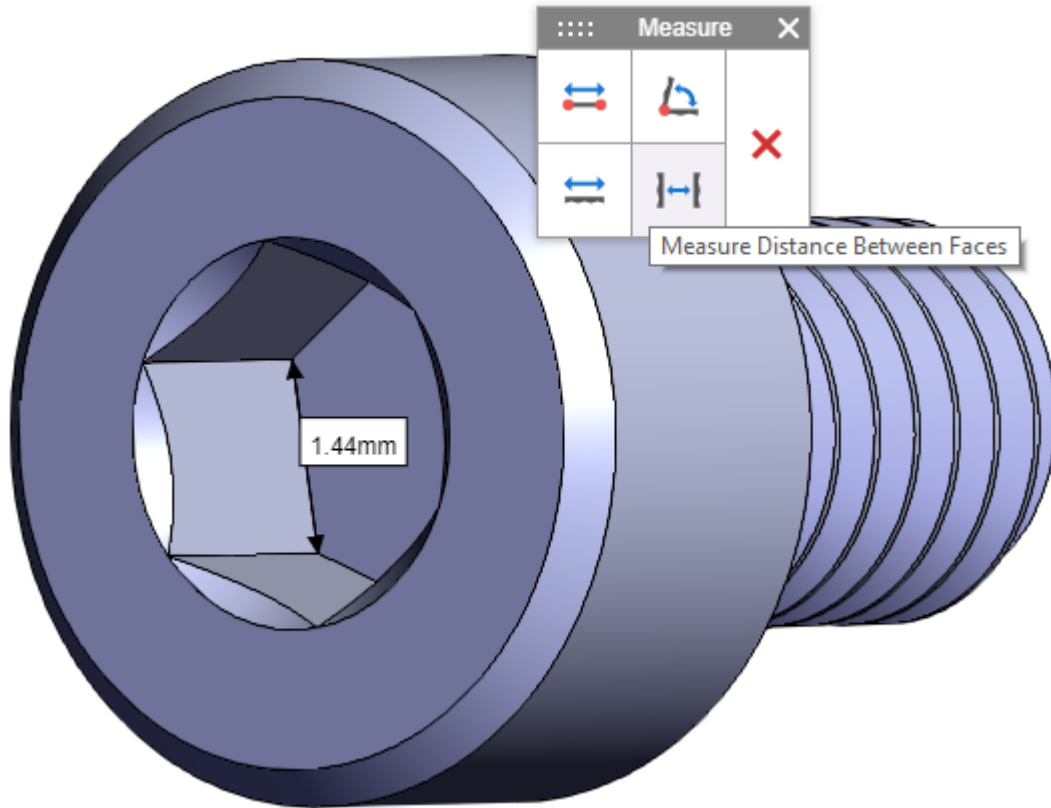


6. Click this button and then click two appropriate surfaces.



7. **Measure Distance Between Faces:** a distance between two arbitrary surfaces.

8. Click this button and then click two appropriate surfaces.



9. Click **Delete All** to clear a model from all measurements.

