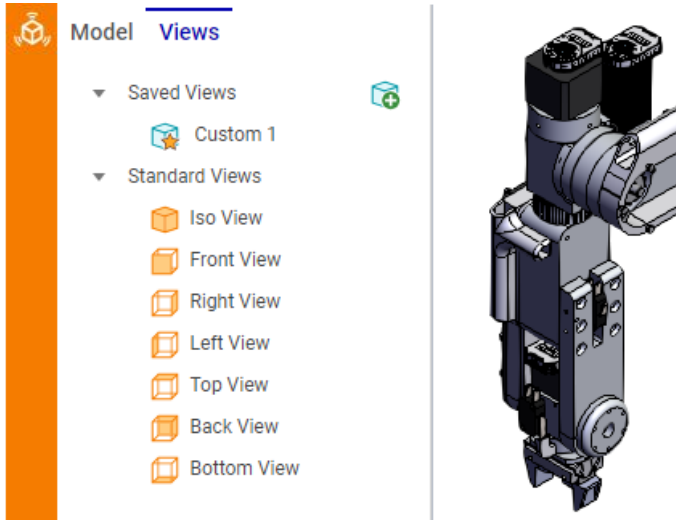


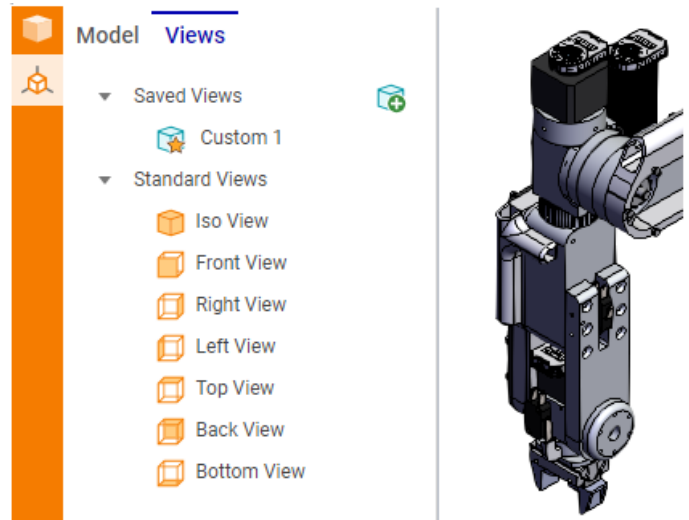
Deleting Saved Views

The following steps outline the process to delete a custom Saved View of a given 3D scene in the Dynamic or Streaming Viewer permanently:

1. Select a necessary Dynamic View Definition.
2. Go to the **Views** tab of the **Model Browser** section.



Streaming Viewer



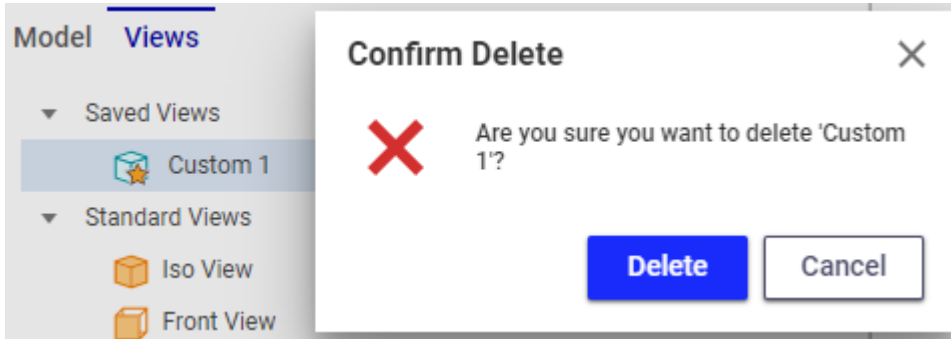
Dynamic Viewer

3. In the **Saved Views** group row, click the X (**Delete Saved View**) button on the right side of the row of the Saved View to be deleted.



The **Confirm Delete** dialog appears.





4. Click **Delete** in the **Confirm Delete** dialog. The Saved View is permanently deleted and cannot be restored.

Important

Clicking the **Cancel** button will cancel the operation, and a Saved View will not be deleted.

