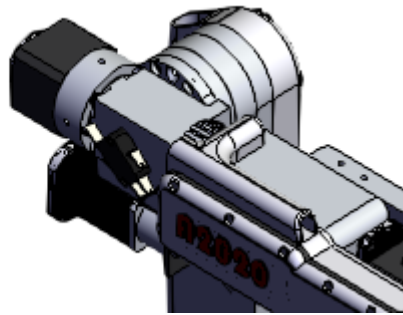


# 3D Scene Context Menu

To access the **3D Scene** context menu, right-click either:

- The canvas outside a given 3D CAD model.



- A given 3D CAD model with no selected parts.



- The **3D Scene** context menu includes the following commands:
- Fit All sets the default 3D CAD model size so that all visible model parts are shown on the 3D scene.
- Reset View makes all 3D CAD model parts visible on the 3D scene (shows them) and sets the given 3D CAD model to its default orientation and size on the 3D scene.
- Display **All** makes all 3D CAD model parts visible on the 3D scene (shows them).
- The Dynamic and the Streaming Viewer **3D Scene** context menu has additional commands; see the *3D Scene Context Menu in Dynamic Viewer and Streaming Viewer* section.