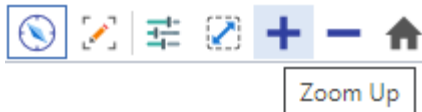


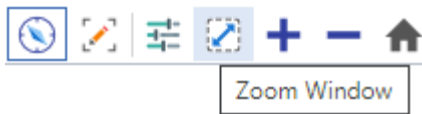
Zooming

The zooming options are the following:

- Wheel mouse button: rotate this wheel button to zoom in or out according to the zoom configuration set in the **3D Viewer Preferences** dialog box; see the Zoom Preferences section.
- The **Zoom Up** and **Zoom Down** buttons on the **Basic Viewing** and **StandardViewing** toolbars: click the appropriate button to zoom in or out along the 3D scene viewpoint center.



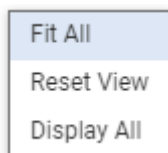
- The **Zoom Window** feature available from the **StandardViewing** toolbar: click this button and select an arbitrary area on the 3D scene to zoom into this area; see the Zooming into Area subsection.



- The **Orient to Face** feature available from the **StandardViewing** toolbar: selects a surface and click this button to orient and zoom a given 3D CAD model into this part or surface; see the Zooming into Part subsection.



- The **Fit All** feature available from the **3D Scene** and **Part** context menus: click this command to restore the default 3D CAD model size fitting the 3D scene canvas without changing the current model orientation; see the Zooming into and Isolating Part subsection.



- The **Isolate** feature available from the **Part** context menu: select a part or surface and click this command to zoom into this part or surface and make all other parts and surfaces transparent; see the Zooming into and Isolating Part subsection.

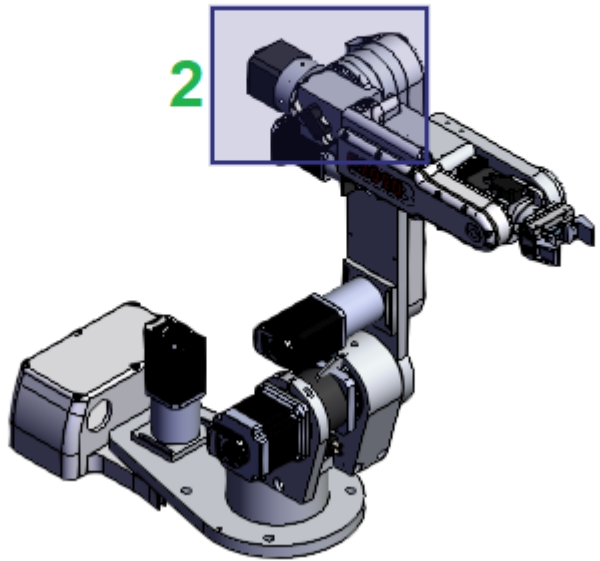


- Open
- Fit All
- Hide
- Hide All Other
- Isolate**
- Reset View
- Display All

Zooming into Area

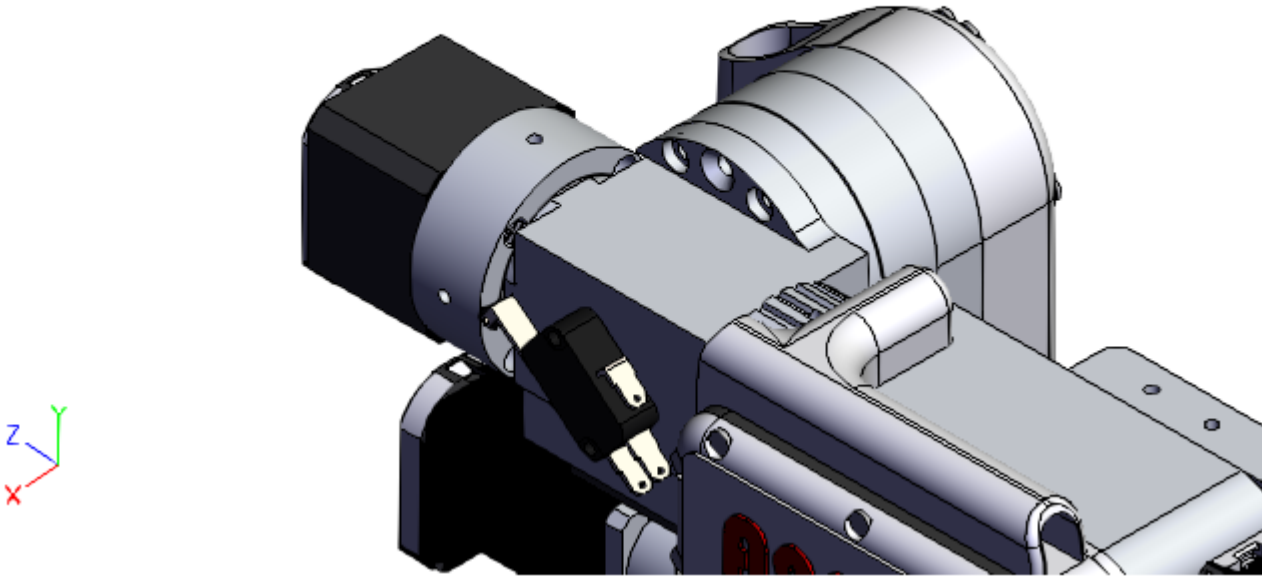
To zoom into an area on the 3D scene:

1. Click the Zoom **Window** button on the **StandardViewing** toolbar.
2. Select the area by clicking and dragging.



The selected area will fit the 3D scene canvas.





Orienting Model to Face

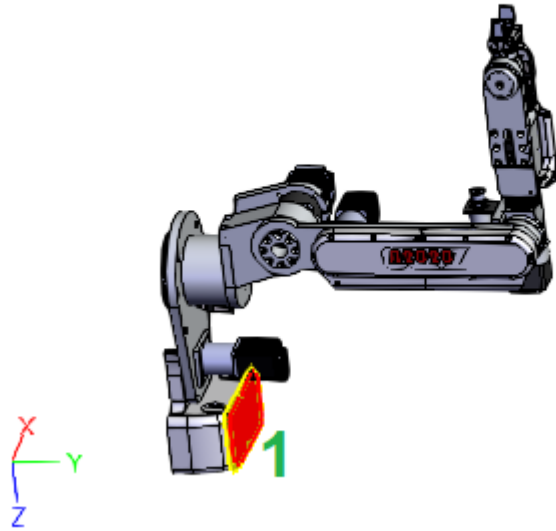
To orient a 3D CAD model to a surface on its part:

1. Select the part or surface
2. Click the Orient to Face button on the **StandardViewing** toolbar.

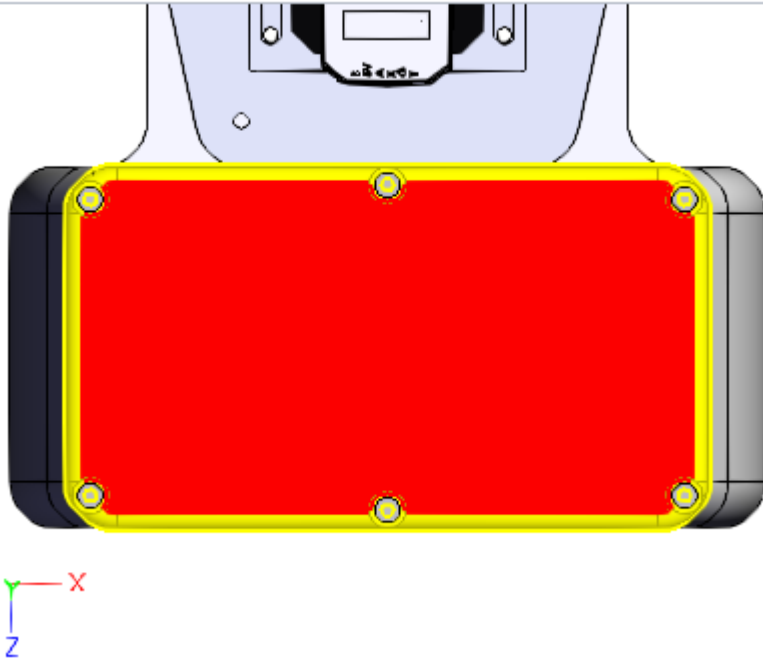




2



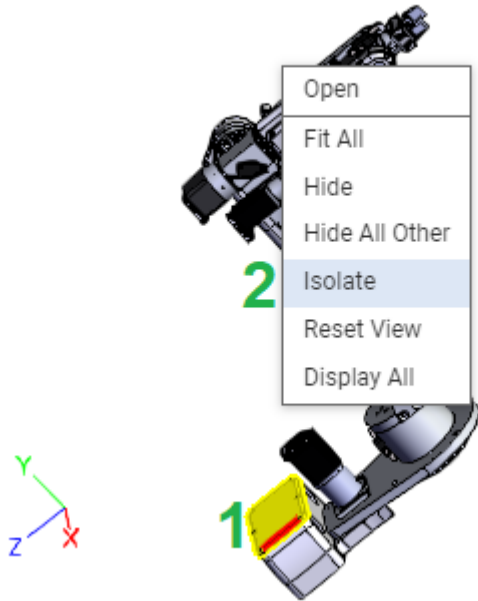
The selected part or surface will fit the 3D scene canvas and be oriented to the user.



Isolating Part

To zoom into a selected part in a 3D CAD model and make all other parts transparent:

1. Select the part or surface.
2. Right-click and click the Isolate command.



The selected part will fit the 3D scene canvas without changing the orientation, and all other parts will be transparent.

